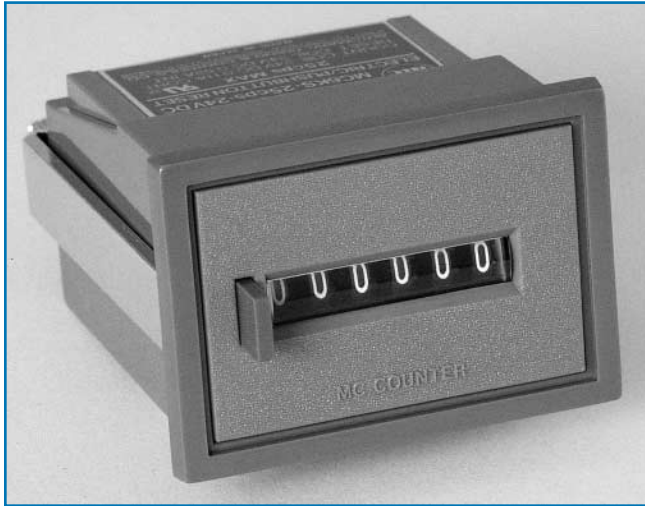


Series MC

COUNTER



DIMENSIONS
INCHES
MILLIMETERS



The MC Counter is a rugged high-speed instrument designed for reliability and long life in industrial environments. It easily withstands 2000V spikes for up to 0.1 ms without damage to its diodes, and its Count Coil is rated for continuous duty. Life expectancy is conservatively rated at 100,000,000 operations.

PRODUCT HIGHLIGHTS

HIGH SPEED

The MC Counter counts DC inputs at rates up to 25 cps, and AC inputs at 15 cps. Count reliability is typically better than 1 in a million counts.

RUGGED

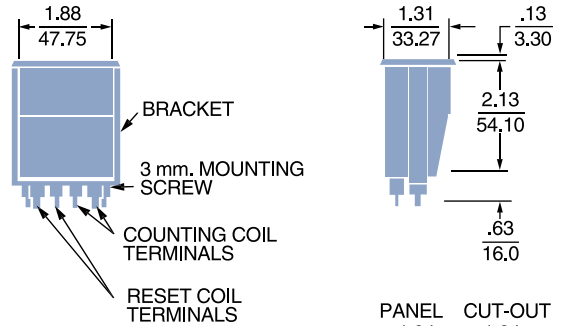
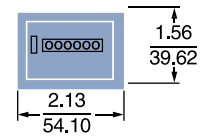
The MC Counter design and its components were selected for their ability to perform reliably in difficult industrial environments. This is reflected in the counter's unusually good specification and also accounts for its life expectancy of 100,000,000 operations.

CONVENIENCE

The AC model has push-button reset and the DC model also has optional electric reset. Both models can be panel-mounted in a 1-15/16 by 1-11/32 inch cutout, or surface-mounted with two screws, using the economical optional mounting socket.

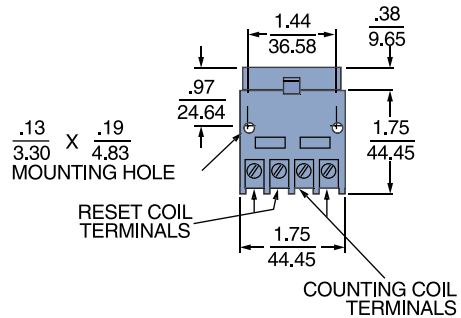
APPROVALS

See Agency Listing on page 391.

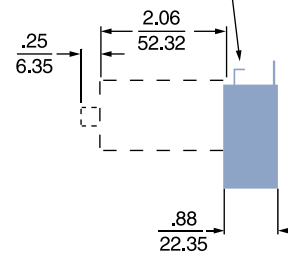


PANEL CUT-OUT	1.94	1.34
	49.28	34.04
PANEL CUT-OUT		

PANEL MOUNT



LEVER FOR DISMOUNTING



MC-SF SURFACE MOUNT RECEPTACLE

SPECIFICATIONS

MODELS

Two models: one for AC and one for DC operation; both count one for each input pulse (1/2 count on make, 1/2 count on break of pulse switch.)

READOUT

6 digits, each 1/8 by 3/32 inch; lens magnifier.

VOLTAGE PROTECTION

Withstands 2000V Transients for 0.1 ms max.

LIFE EXPECTANCY

Conservatively rated for 100,000,000 operations; except reset coil; 500,000 operations.

INSULATION RESISTANCE

More than 100M ohms at 500VDC.

BREAKDOWN VOLTAGE

1500V rms for one min.

TEMPERATURE RATING

-10° to +40°C (-14 to 104°F.)

TEMPERATURE RISE (coil surface)

Less than 65°C at 110° of nom. voltage.

SHOCK RESISTANCE

5 G max during operation; 75 G max at rest.

VIBRATION RESISTANCE

45 cps at 1.5 mm amplitude max during operation.

WEIGHT

NET: 6 oz.

SHIPPING: 8 oz.

BASIC TYPE

AC type with push button reset and socket box.

DC type with push button reset and panel socket box.

DC type with electric and push button reset and panel socket box.

Optional surface mounting socket with solder lugs and mounting hardware

ORDERING CODE

MC6MS15CPS120VAC

MC6MS25CPS24VDC

MC6KS25CPS24VDC

MCSF

For prices and further information, consult factory.

CHARACTERISTICS	AC MODEL	DC MODEL
Max. count speed (on: off = 1:1)	15 cps	25 cps
Min. pulse/break duration	33 ms	20 ms
Max. residual ripple	—	10%
Continuous energized time	no limit	no limit
Power consumption (approx.)	2 VA	2.6W
Operating voltage	120V, + 10- 15%	24V, :1= 10%
Reset	push button	push button and opt. electrical
Count coil		
Power consumption	2 VA	—
Voltage (nominal)	120VAC	24VDC
Current (nominal)	—	108 mA
Resistance (at 20°C)	—	223 ohms
Reset Coil (DC only)		
Voltage	—	24V:1=10%
Current (nominal)	—	516 mA
Resistance (at 20°C)	—	96.5 ohms
Min. pulse/break duration	—	100 ms
Max. residual ripple	—	10%
Max. continuous energized time	—	1 min.