

West 8010

1/8 DIN Panel Indicator



The West 8010 is a 1/8 DIN microprocessor based digital indicator. Available with red or green displays. One latchable relay is fitted as standard, plug-in modules allow two more alarm relays, PV retransmission or transmitter PSU.

- Four-digit LED display
- Up to 3 alarms
- Transmitter PSU option
- Min/max value hold
- Engineering units
- PC configuration
- PV retransmit option
- RS485 comms option



Technical Data

Features

Output Configuration	Up to 3 total., max 3 for Alarms, max 1 for retransmit of PV, max 1 transmitter power supply
Alarm 1 & 2 Types	Process high, process low, direct acting, process high, process low reverse and logical OR
Viewable Values	Process variable, maximum value, minimum value and elapsed time since reset
Legends	°C/°F LED. Labels for 27 other common units, mounted behind clear window
Human Interface	3 button operation, 4 digit 13mm high red or green display, plus set-up, alarm, max & min indicators
PC Configuration	Off-line configuration from serial port to dedicated config socket (comms option not required)

Input

Thermocouple	J, K, R, S, T, B, L, & N.
RTD	3 Wire PT100, 50Ω per lead maximum (balanced)
DC Linear	0-20/4-20mA, 0-50/10-50mV, 0-5/1-5/0-10/2-10V. Scaleable -1999 to 9999, dec point available
Impedance	>100MΩ for Thermocouple and mV ranges, 47KΩ for V ranges and 4.7Ω for mA ranges
Accuracy	+/- 0.25% of input span +/- 1 LSD (T/C CJC better than 0.7°C)
Sampling	4 per second, 14 bit resolution approximately
Sensor Break Detection	<2 secs (except zero based DC ranges), *high alarms activate (*low for RTD, mA or V).

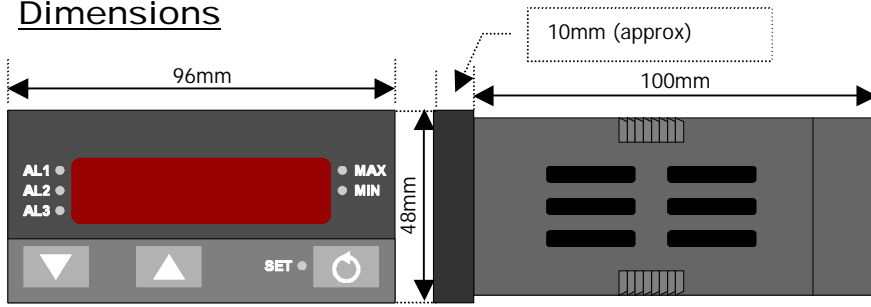
Outputs & Options

Alarm 1 Relay	Contacts SPDT 2Amp resistive at 240V AC, >500,000 operations, latching or non-latching. Fitted as standard
Alarm 2 & 3 Relays	Contacts SPDT 2Amp resistive at 240V AC, >500,000 operations (optional)
Retransmit Output	0-20/4-20mA into 500Ω max, 0-10/0-5V into 500Ω min. Accuracy typically +/- 0.25%
Transmitter Power Supply	20-28V DC (24V nominal), max load 910Ω (22mA at 20V)
Remote Reset	External reset of latching alarm 1 relay. Volt free or TTL input (Reset = open to close or "0" to "1" transition. 0 = -0.6 to 0.8V, 1 = 2 to 24V)
Communications	2 wire RS485, 1200 to 9600 baud. Modbus or West ASCII (selectable)

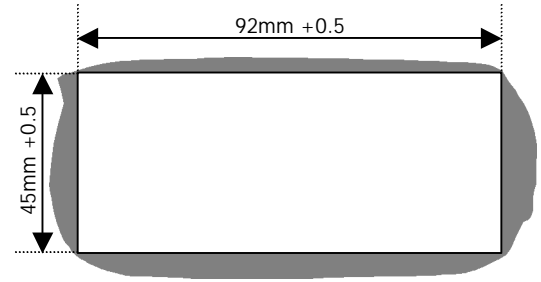
Operating & Environmental

Temperature & RH	0 to 55°C (-20 to 80°C storage), 20% to 95%RH non-condensing
Power Supply	90 to 264V 50/60Hz (optional 20 to 55V AC/22 to 65V DC), approx 4 Watts
Front Panel Protection	IEC IP66 (Behind panel protection is IP20)
Approvals and Certification	CE, UL & ULc

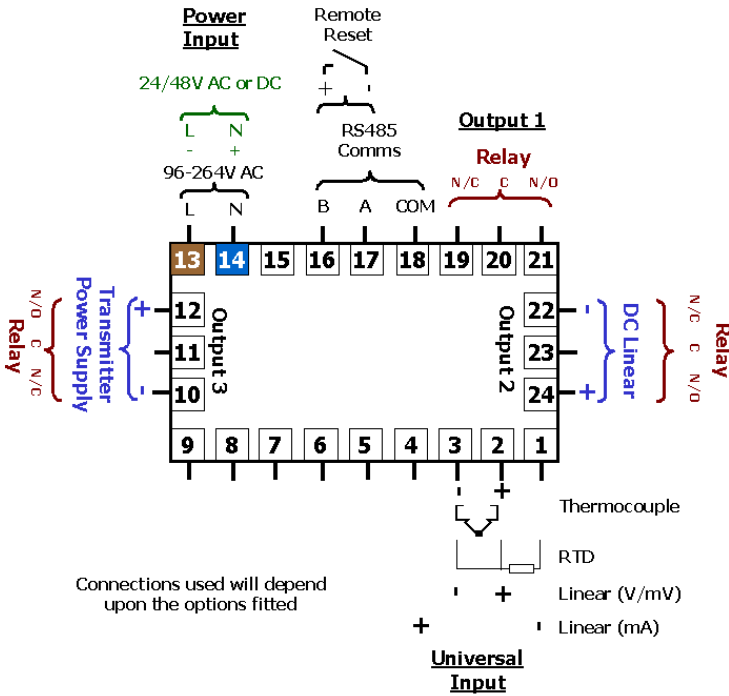
Dimensions



Panel Cut-out



Connection Details



Field Reconfiguration

Input

Configurable to any type, no extra parts required

Output 1

Type is fixed as Alarm 1 Relay

Output 2

Configurable as Alarm 2 or 3 via plug-in relay, or PV retransmit, using DC Linear modules

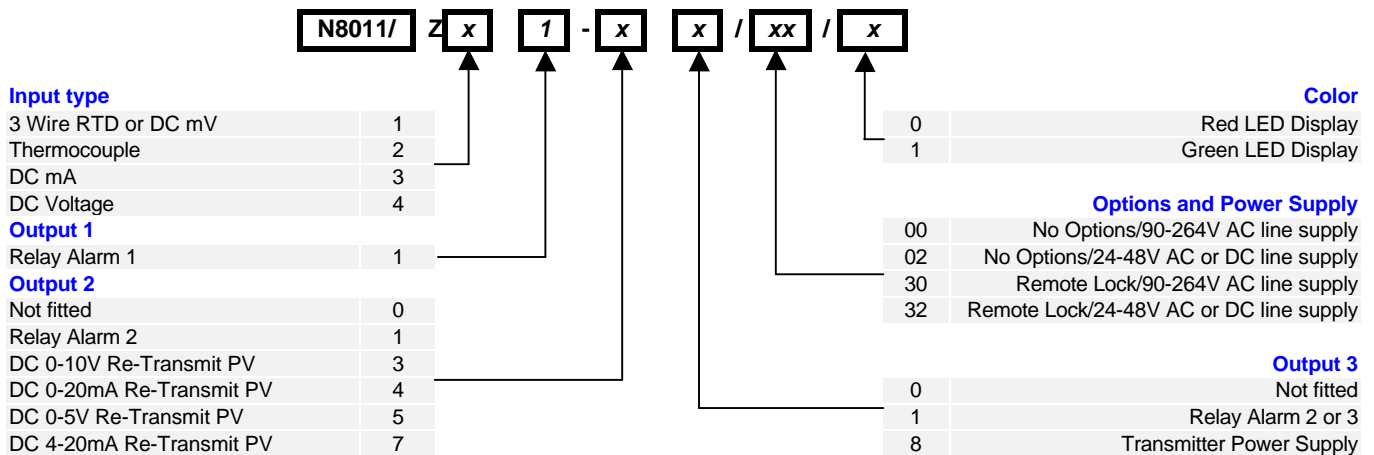
Output 3

Configurable as Alarm 2 or 3 via plug-in relay, or Transmitter Power Supply using Tx PSU module

Option Slot

Configurable as RS485 comms or Remote reset of latched output 1 relay, via plug-in modules

Order Code



<http://instserv.com>

ISE, Inc.

10100 Royalton Rd.
Cleveland, OH 44133 USA
Tel: (440) 237-3200 • Fax: (440) 237-1744

Toledo, OH area:

417 Tomahawk Dr.
Maumee, OH 43537
Tel: (419) 893-3330 • Fax: (419) 893-2151