

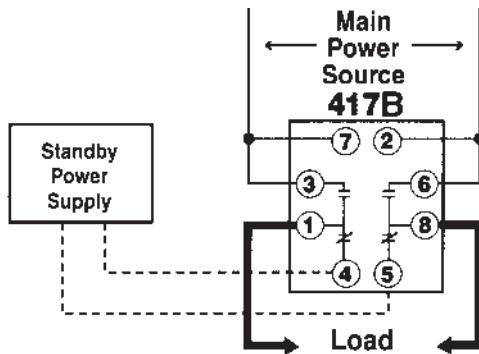


## True OFF-Delay Timer

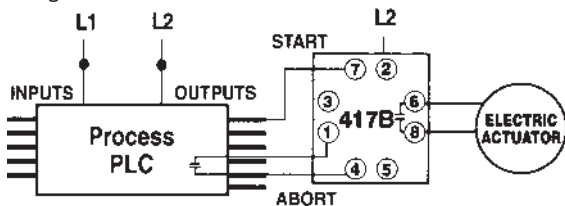
- True OFF-Delay mode of operation
- Output contacts rated 10A at 120/240 VAC
- Three timing ranges in a single unit:  
10 SEC, 1 MIN, 10 MIN  
5 SEC, 0.5 MIN, 5 MIN
- Universal power operation:  
24 VAC to 240 VAC  
& 24 VDC
- 8-Pin or 11-Pin mounting.
- Remote reset models.
- 48mm<sup>2</sup> DIN standard housing
- Watertight when panel-mounted
- Range selection is tamper-proof when panel-mounted.

### TYPICAL APPLICATIONS

Whenever main power is interrupted, the 417B (adjustable from 0.1 SEC to 10 MIN), enables an emergency back-up power source.



Controlled by a PLC, the 417B timing cycle can be aborted by using the remote reset terminals.



The 417B Directly Replaces 417A.

The 417B True OFF-Delay Timer is designed for the most rugged industrial environments. It offers exceptional electrical noise immunity, with excellent setting and repeat accuracy.

Each 417B can be powered from 24 VAC to 240 VAC and 24 VDC, greatly simplifying ordering and inventory management.

The 48mm<sup>2</sup> (1/16 DIN) housing is compact and watertight when panel-mounted. The 417B is mounted in an 8-pin octal or 11-pin round socket. The 417B can be panel-mounted with an optional mounting clip.

A large time-setting knob is provided for easy adjustment by operator.

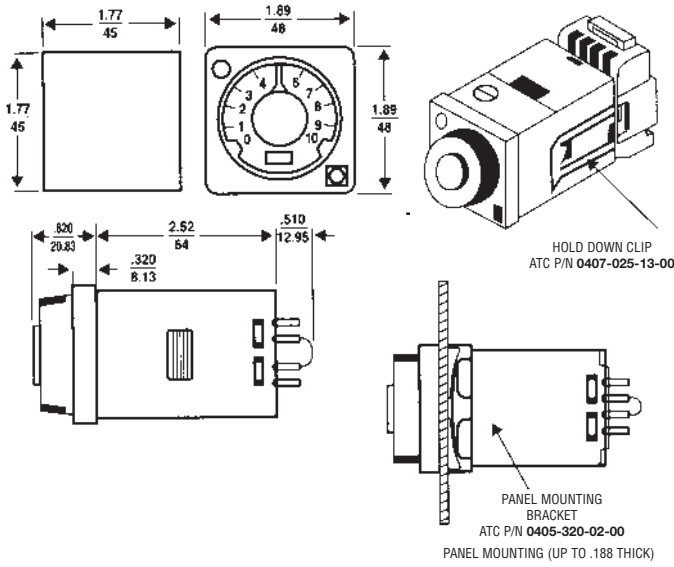
The range select switch is located on the side of the unit; therefore, once panel-mounted, the switch is not accessible to the operator. This tamper-proof feature prevents unauthorized or hazardous changes to the timing range.

The 417's high intensity LED turns on when power is applied to the timer and turns off during timing.

### SPECIFICATIONS

MODELS	Choice of eight multi-range units. Each model has three timing ranges.	
RANGE	Model 417B100 (10 SEC, 1 MIN, 10 MIN)	
	Model 417B500 (5 SEC, 0.5 MIN, 5 MIN)	
CONTACT RATING	10 AMPS (Resistive @ 250 VAC) 1/3 HP @ 120 VAC	
TEMPERATURE RATING	0° to 104°F (-18° to 40°C)	
NOISE IMMUNITY	Showering Arc per NEMA 2-230, the 417 will withstand a voltage surge of 4500 volts for 50 micro seconds without damage.	
MOUNTING	Plug in base available in 8-Pin Octal or 11-Pin Round Base	
	OPTIONS: Surface Mounting Socket DIN Rail Mounting Socket Panel Mounting Kit Plug-in Socket Kit	
POWER REQUIREMENTS	24 to 240 VAC & 24 VDC, 50 or 60 Hz, (+10%, -20%) 24 to 240 VAC. (+20%, -20%) 24 VDC DC MAXIMUM RIPPLE AT 60 Hz-5%	
LOAD RELAY	TYPE	DPDT, Standard Models SPDT, Remote Reset Models
	LIFE	10,000,000 operations (no load) 100,000 operations with 5 AMPS at 30 VDC (or less) or 5 AMPS at 250 VAC (or less)
REPEAT ACCURACY	+/-5%* *variation from avg. actual time	
MINIMUM SETTING	2% of range	
SETTING ACCURACY	+/-10%	
REMOTE RESET	50 mSEC minimum (remote reset models)	
POWER ON TIME	1.0 SEC minimum	
INDICATOR	Power on LED	
HOUSING	48mm <sup>2</sup> (1/16 DIN) housing is watertight when panel mounted	
WEIGHT	NET: 5 oz.	SHIPPING: 1 lb.

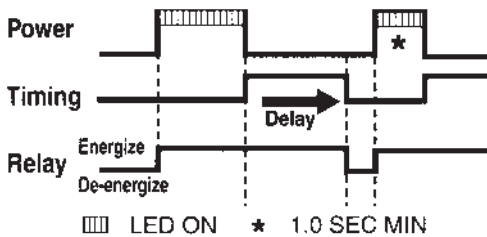
DIMENSIONS (INCHES/MILLIMETERS)



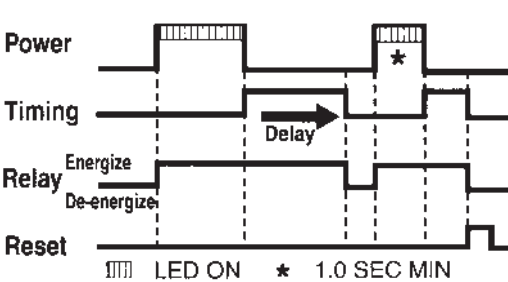
OPERATIONS

When power is applied to the timer, the relay energizes and the indicating LED turns on. Timing starts when power is removed, and the LED turns off. The output relay remains energized until the end of the cycle, or by connecting terminals 1 to 4 when using the Remote Reset Model.

Model 417...F.X  
Standard unit with DPDT relay contacts

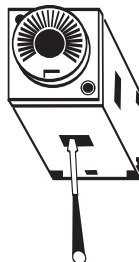


Model 417...F.R  
Same as standard unit except with SPDT relay contacts and ability to reset from an externally located remote reset switch



SETTING THE RANGE

Refer to the drawing. Using a small screwdriver inserted into the adjusting slot as shown (fig. 1), rotate the range switch. The selected range will appear through the window of the dial face.



MODEL NUMBER >>>>>	417B	F	
Range			
10 SEC, 1 MIN, 10 MIN	100		
5 SEC, 0.5 MIN, 5 MIN	500		
Voltage & Frequency		F	
24 to 240 VAC & 24 VDC			
Arrangement			
8 Pin Base		2	
11 Pin Base		4	
Features			
Standard		X	
Remote		R	
Special		K	
Accessories-8 Pin			
8-Pin surface/DIN rail socket	0000-825-85-00		
Hold down for above socket	0407-025-13-00		
Panel mounting bracket	0405-320-02-00		
Plug-in socket kit (8-pin)	0319-261-45-00		
8-Pin panel socket with rear facing terminals	600-3-0011		
Accessories-11 Pin			
11-Pin surface/DIN rail socket	0000-825-86-00		
Hold down clips for above socket	0407-025-13-00		
Panel mounting bracket	0405-320-02-00		
Plug-in socket kit (11-pin)	0314-260-07-00		
11-Pin panel socket w/rear facing terminals	600-3-0012		

WIRING

TERMINAL WIRING

