

# SIGNAL LIGHTS

## ML Series

Ø66mm

Rotating, Flashing and Strobe Models

- Mounting: threaded studs or pole (200mm), wall mount bracket available (order separately)
- Colors available: blue, green, red & yellow
- Incandescent (rotating or flashing) or Xenon bulb (strobe)
- Wire leads

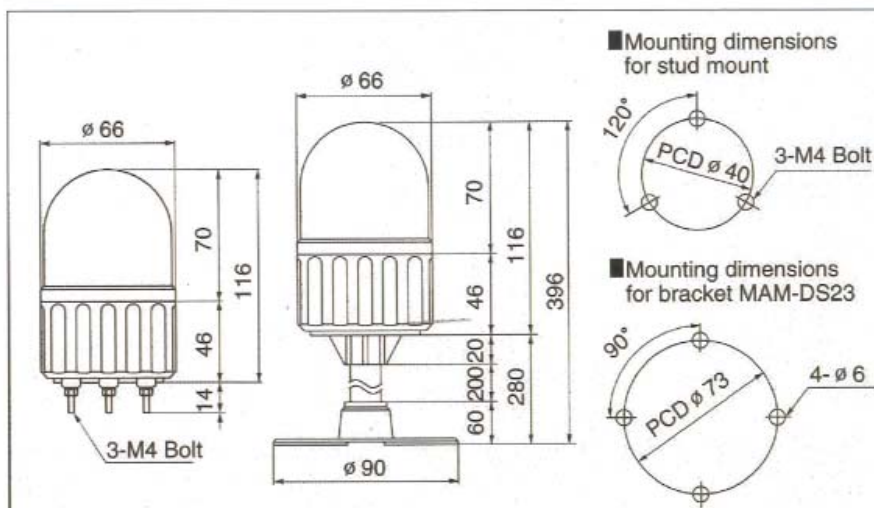


Model	Stud Mount	Pole Mount	Voltage	Current Draw	Wattage	Replacement Parts	
						Bulb	Lens
<b>MLG / MLP</b> Rotating Rotation rate 130 / minute	MLG-012-(□)	MLP-012-(□)	12 VDC	0.7A	8 watt	MAB-T15-S-012-08	LENS-MLG-(□) (Smooth lens)
	MLG-024-(□)	MLP-024-(□)	24 VDC	0.3A		MAB-T15-S-024-08	
	MLG-110-(□)	MLP-110-(□)	110 VAC	0.07A		MAB-T15-S-130-08	
	MLG-220-(□)	MLP-220-(□)	220 VAC	0.03A		MAB-T15-S-240-08	
<b>MLGF / MLPF</b> Flashing Flash rate 80 / minute	MLGF-012-(□)	MLPF-012-(□)	12 VDC	0.7A	8 watt	MAB-T15-S-012-08	LENS-MLGF/S-(□) (Prism lens)
	MLGF-024-(□)	MLPF-024-(□)	24 VDC	0.3A		MAB-T15-S-024-08	
	MLGF-110-(□)	MLPF-110-(□)	110 VAC	0.07A		MAB-T15-S-130-08	
	MLGF-220-(□)	MLPF-220-(□)	220 VAC	0.03A		MAB-T15-S-240-08	
<b>MLGS / MLPS</b> Strobe	MLGS-110-(□)	MLPS-110-(□)	110 VAC	0.22A	6 watt	MAB-STROBE-110-06	
	MLGS-220-(□)	MLPS-220-(□)	220 VAC	0.11A		MAB-STROBE-110-06	

(□) – Indicate color of light or lens: B, G, R or Y

### DIMENSIONS

Unit: mm



### Wall Mount Brackets

#### Plastic

MAM-DS30-BGE (Beige)  
MAM-DS30-BLK (Black)



#### Steel

MAM-DS26



### Pole Mount

