

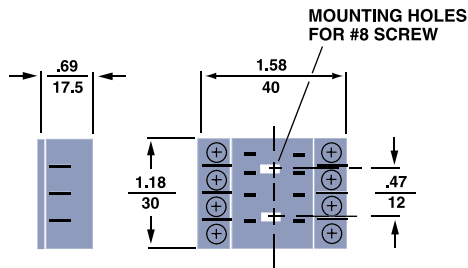
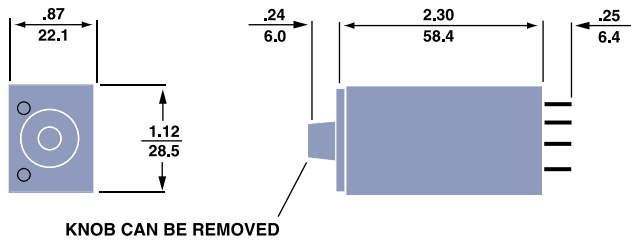
DIMENSIONS:
INCHES
MILLIMETERS



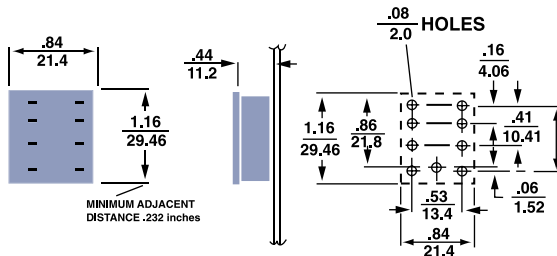
Series 313

Plug-In Adjustable TDR

TIMERS



Optional Surface mounting Socket



Optional Socket for PC Boards

PRODUCT HIGHLIGHTS

MINIATURE HOUSING

You can mount several ATC 313 timers in the same space as a single conventional TDR.

DIGITAL ACCURACY

A custom C-MOS integrated circuit accurately measures the dial-adjustable delay by counting the output of an internal oscillator. Repeat accuracy remains high even with variations in voltage, temperature and reset time.

STATUS INDICATORS

Two LEDs clearly indicate the operational status of the 313: one is energized when power is applied; the other is **off** during the delay period and **on** at time-out.

INDUSTRIAL QUALITY

With a load relay capable of switching 7A resistive loads and a C-MOS design that protects components against noise and voltage transients, the 313 is built for industrial use.

APPROVALS

See Agency Listing on inside back cover of catalog.

Through advanced circuit design and packaging technology, the on delay ATC 313 packs all of the performance of a conventional plug-in TDR in a space-saving housing. It features a digital timing circuit which ensures high repeat accuracy and excellent noise immunity.

SPECIFICATIONS

RANGES AND MINIMUM SETTING

Choice of four:

- 0.1 sec -- 1 sec
- 0.5 sec -- 10 sec
- 3 sec -- 1 min
- 30 sec -- 10 min

SETTING ACCURACY

± 10% of range at full scale

REPEAT ACCURACY

- ± 1% of setting or 10 ms when temperature and voltage are constant
- ± 7% of setting when temperature and voltage change within specified operating limits

RESET

0.1 sec during timing and at least 15 ms after time out

LOAD RELAY

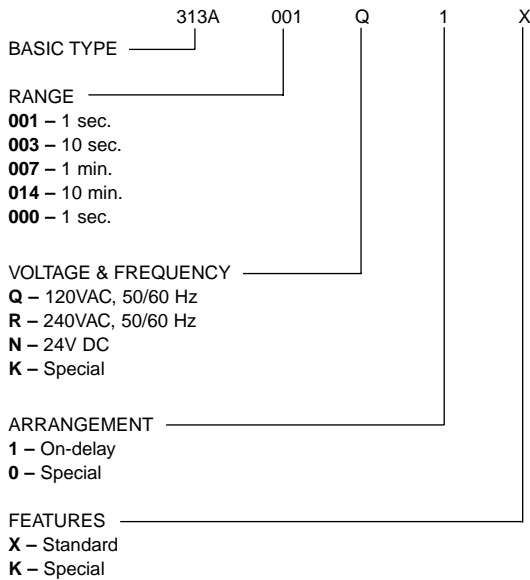
TYPE: 2 Form C

LIFE: AC: 50,000,000 operations (no load)

DC: 100,000,000 operations (no load)

CONTACT RATING: 7A resistive 1/10 HP at 120V

ORDERING CODE



ACCESSORIES

0000-825-81-00 Surface mounting socket

0000-825-82-00 PC board socket

POWER REQUIREMENTS

120VAC: 80 to 132V, 50/60 Hz, 10 mA

240V AC: 160 to 242V, 50/60 Hz, 8mA

24V DC: 19.2 to 26.4V (at 20°C), 40 mA

TEMPERATURE RATING

15 to 120°F (- 10 to 50°C)

WEIGHT

NET: 2 oz.

SHIPPING: 4 oz.

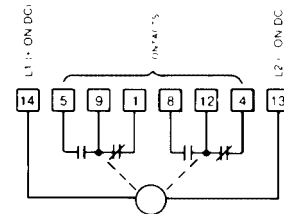
MOUNTING

Plug-in optional surface-mounting socket with screw terminals; optional PC board mount socket and wire wrap

HOUSING

Dust, moisture and impact-resistant molded polycarbonate

WIRING



TERMINAL WIRING

