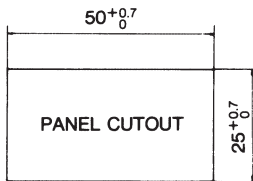
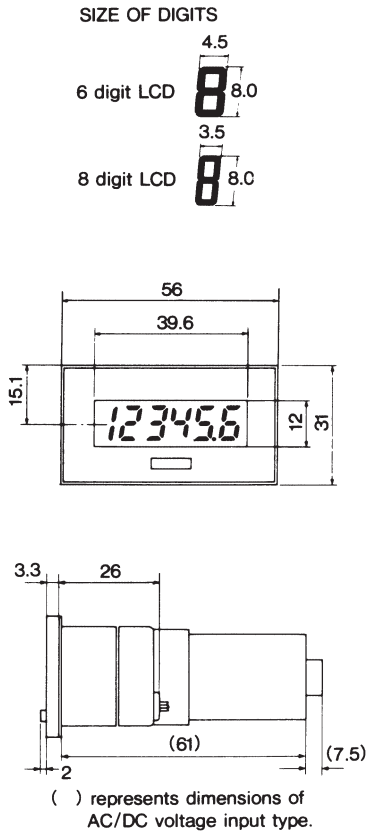


DIMENSIONS:

INCHES
MILLIMETERS



*To obtain inches, multiply by 0.03937

*Specifications are subject to change without notice

Containing an internal lithium battery, the Series 5706 Totalizers need no external power source. The large LCD display and small size allows excellent read out in virtually any location. The series 5706 is available with either 6 or 8 digits to display the total number of counts. It will accept many input types at count rates up to 40Hz.



Series 5706

6 and 8 Digit Totalizer



PRODUCT HIGHLIGHTS

TOTALIZATION

The Series 5706 Totalizer can accumulate counts from many input types to provide indication of total machine cycles, parts produced, defects, etc. The totalizer can accept counts as fast as 40 per second and can display counts of 999,999 or 99,999,999.

POWER

The 5706 Totalizer contains a 3V lithium battery with a 10 year life. There is no need for external power.

INPUT

The Series 5706 can accept inputs from Dry Contacts, Open Collectors, Logic Pulses, and AC/DC Voltage sources (6-250V).

RESET

Reset of the totalizer can be made by remote wiring or by an integral front panel push-button. The front panel push-button is an optional feature.

HOUSING

The housing for the totalizer measures 25 x 50mm. The display features large LCD characters and is available with 6 or 8 digits.

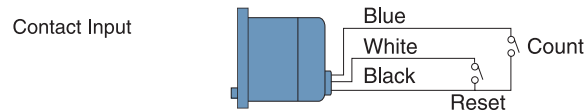
SPECIFICATIONS

Display	LCD (Zero-Suppression System)	Make	1:1
Size of Digits	6 digit display: 8mm(H) x 4.5mm(W) 8 digit display: 8mm(H) x 3.5mm(W)	Reset Method	Remote Reset or Front panel reset or remote reset only.
Number of Digits	6 or 8	Remote Reset	Switch/Open Collector/Logic Pulse ("L" 0-1V, "H" 3-30V, resets at "L")
Min. Display Unit	0.1 hour-Hourmeter, 0.1 sec.- Secondmeter	Remote Reset Current	100µA max.
Power Supply	Self contained 3V lithium battery, lifetime 10 years	Remote Reset Pulse Width	100ms min.
Counting Direction	Additive	Operating Temperature	14 to 122°F. (-10 to 50° C)
Input	Switch/Open Collector/Logic Pulse ("L" 0-1V, "H" 3-30V, times at "L"), AC/DC Voltage 6-250V	Operating Humidity	45-85% (non-condensing)
Input Current	100µA max. at input "ON" (AC/DC Voltage: 1mA at 100VAC)	Lead Wires (Switch Input)	Length 300mm ± 10mm (AWG 26, UL1007); Input (Blue), Reset (White), GND (BLACK)
Count Speed	Switch Input: 40Hz, AC/DC voltage input: 20 Hz.	Terminals (AC/DC Voltage Input)	Input (Terminals 3 and 4) Reset (Terminals 1 and 2)
Pulse Width	Switch Input: 125 ms min.; AC/DC voltage input: 25 ms min.	Weight	1.4 oz. (38g) approx.
		Front Panel	Dustproof, splashproof

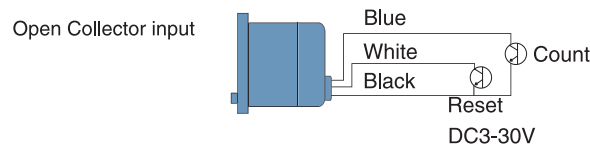
ORDERING CODES

Model Number	No. of Digits	Inputs	Reset
5706A600XX	6	Switch, Open Collector, Logic Pulse	Remote
5706A610XX	6	Switch, Open Collector, Logic Pulse	Front Panel, Remote
5706A800XX	8	Switch, Open Collector, Logic Pulse	Remote
5706A810XX	8	Switch, Open Collector, Logic Pulse	Front Panel, Remote
5706A601XX	6	AC/DC Voltage	Remote
5706A611XX	6	AC/DC Voltage	Front Panel, Remote
5706A801XX	8	AC/DC Voltage	Remote
5706A811XX	8	AC/DC Voltage	Front Panel, Remote

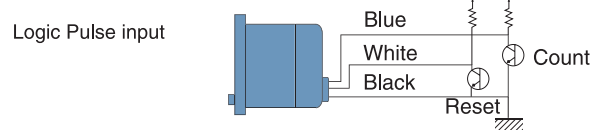
WIRING



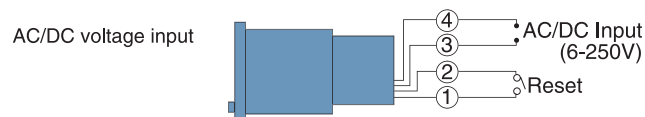
CONTACT INPUT: To get unit to count, connect Input Lead (Blue) to GND (Black) through relay, micro-switch, reed switch, etc. To reset unit, connect Reset Lead (White) to GND (Black) through relay, micro-switch, reed switch, etc.



OPEN COLLECTOR INPUT: If NPN Open Collector is used, to get unit to operate connect both Count Input Lead (Blue) and Reset Lead (White) to GND (Black)



LOGIC PULSE INPUT: If Logic Pulse is being input through NPN Open Collector, wire as shown at left. Operation and reset functions are performed at "L"=0-1V and "H"=3-30V.



AC/DC VOLTAGE INPUT: In case of AC/DC Voltage Input apply AC/DC 6-250V to Input Terminals ③ and ④. To reset unit connect Terminal ① to Terminal ② through switch, etc.