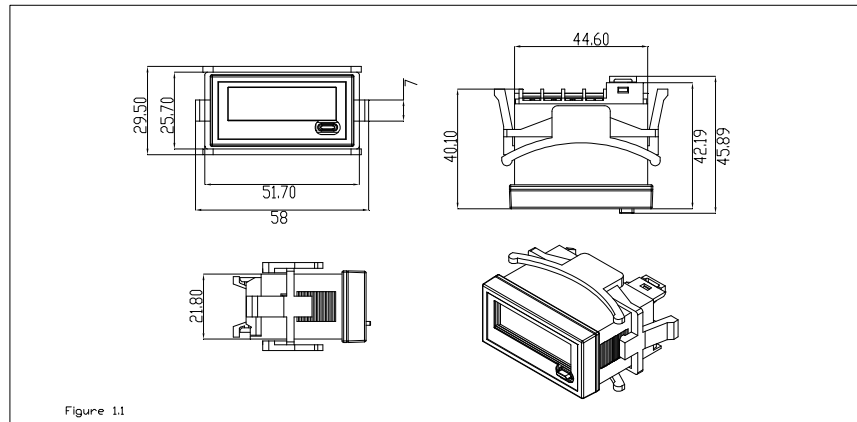


**Installation & Operation Manual**  
**5708A Series**  
**Multifunction Timer-Counter**

**Wiring: See Product Label**

**Dimensions (mm):**



**Start up & Battery:**

The battery cover tabs are located on the back of the unit directly beside the terminal screws. By pressing the two tabs together at the same time, (toward one another), and pull the cover away from the unit itself will remove the battery. The battery is setting in the plastic cover. After removing and replacing the battery, make sure that the new battery is placed correctly in the cover so the unit will power up when the cover is placed back in the unit, (the plus and minus signs are shown on the cover itself along with a picture of the way the battery should sit in the cover).

*Note: When the unit is first purchased, the battery is sent with tape on one side of the battery to keep the unit from powering up. Remove the tape by following the above instructions on replacing the battery. Also note that the setting is always reset to FUNC-101 when the batteries are changed. You must reset your function setting after replacing the battery.*

**Entering Setup Mode:**

1. Connect terminal #2 to terminal #4 (Enable to Common)
2. Connect terminal #3 to terminal #4 (Program to Common)
3. Press and hold the reset button on the front of the unit for 10 seconds (LCD will display FUNC-101~FUNC-208 depending on which mode the unit was in last)
4. Press and release the reset button and the LCD will change to display the next function (example: FUNC-101 will now display FUNC-102), keep doing this until the display is showing desired function of the unit
5. Wait for 10 seconds with the LCD display showing the desired function menu and the unit will store the function setting
6. Disconnect terminal #2 from terminal #4
7. Disconnect terminal #3 from terminal #4

**Run Mode:**

Program terminal: Terminals 3 and 4 controls when timing starts, counting, or where the frequency is applied.

Enable terminal: Terminals 2 and 4 controls the reset button on the front of the unit when it is enabled or disabled.

Reset terminal: Terminals 1 to 4 controls the remote reset function.

**Function:**

**FUNC-101~FUNC-115:** Timer Functions

**FUNC-201~FUNC-206:** Counter Functions

**FUNC-207:** Frequency Meter

**FUNC-208:** Tachometer

D=Day H=Hour M=Minute T=Second

TIMER		Measuring Capacity		Index
Unit	Symbol	Minimum	Maximum	Function
DD:HH:MM:SS	D H M T			FUNC-101
DD:HH:MM	D H M	00000000	99235959	FUNC-102
DD:HH:MM	D H M	000000	99992359	FUNC-103
DD:HH	D H	00-00-00	99-23-59	FUNC-104
DD:HH	D H	000	99999923	FUNC-105
DD	D	0-00	99999-23	FUNC-106
HH:MM:SS	H M T	0	99999999	FUNC-107
HH:MM:SS	H M T	000000	99995959	FUNC-108
HH:MM	H M	00-00-00	99-59-59	FUNC-109
HH:MM	H M	000	99999959	FUNC-110
HH	H	0-00	99999-59	FUNC-111
MM:SS	M T	0	99999999	FUNC-112
MM:SS	M T	000	99999959	FUNC-113
MM	M	0-00	88888-59	FUNC-114
SS	T	0	99999999	FUNC-115
		0	99999999	

Counter		Measuring Capacity		Index
Unit	Minimum	Maximum	Function	
Rising Edge <50Hz			FUNC-201	
Falling Edge <50Hz	0	99999999	FUNC-202	
Rising Edge <100Hz	0	99999999	FUNC-203	
Falling Edge <100Hz	0	99999999	FUNC-204	
Rising Edge <600Hz	0	99999999	FUNC-205	
Falling Edge <600Hz	0	99999999	FUNC-206	
	0	99999999		

Freq.		Frequency Meter		Index
Unit	Minimum	Maximum	Function	
Hz			FUNC-207	
No Signal	2500	1300		
	-----			
Tach.		RPM		Index
Unit	Minimum	Maximum	Function	
RPM			FUNC-208	
No Signal	150	78000		
	-----			

**Rising edge:** a.) When terminals 3 and 4 close, the count will increase by 1 on the display.  
 b.) When terminals 3 and 4 open, the display remains unchanged.

**Falling edge:** a.) When terminals 3 and 4 close, the display remains unchanged.  
 b.) When terminals 3 and 4 open, the count will increase by 1 on the display.

*\*Note: The input terminal must be open when the external reset is pressed in the counter mode (FUNC-201 to FUNC-206).*

**Specifications:**

**Input:** TTL

**Front Panel:** IP66

**Cutout:** 22mm x 45mm

**Weight:** ≈ 33g / 0.07lbs

**Operation Temperature:** -10°C to 55°C

**Storage Temperature:** -25°C to 85°C noncondensing