



10100 Royalton Rd.
Cleveland, OH 44133

Tel: (440) 237-3200 Fax: (440) 237-1744
<https://ISEinc.com> <https://VARIAC.com>

CURRENT TRANSFORMERS

Model 1025 (**Window Size: 1" Diameter**)

Application: Generally used with ammeters.

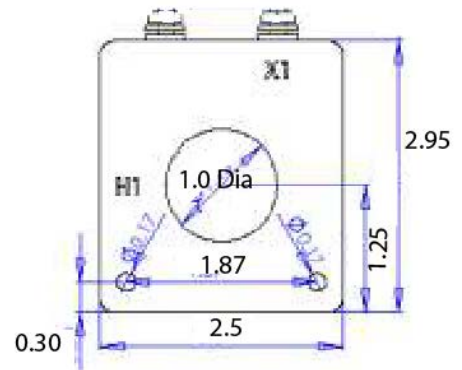
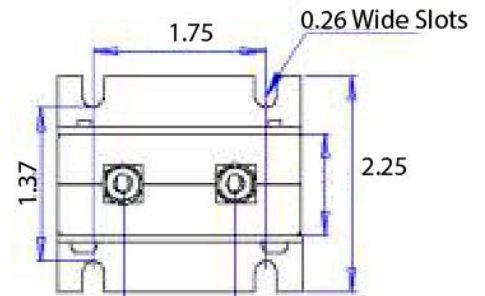
Frequency: 50-400 Hz

Insulation Level: 600 Volts, 10Kv BIL Full Wave



- Terminal Screws are brass.
- Approximate weight: 0.5 lbs.

Catalog Number	Current Ratio	Model 1025SB (other options available)	
		Accuracy at 60 Hz	Burden VA at 60Hz
1.0X2.5SB-50	50:5	± 3%	2.0
1.0X2.5SB-60	60:5	± 2%	2.0
1.0X2.5SB-75	75:5	± 2%	2.0
1.0X2.5SB-80	80:5	± 2%	2.0
*1.0X2.5SB-100	100:5	± 1%	2.0
1.0X2.5SB-120	120:5	± 1%	2.5
1.0X2.5SB-125	125:5	± 1%	2.5
1.0X2.5SB-150	150:5	± 1%	4.0
1.0X2.5SB-200	200:5	± 1%	4.0
1.0X2.5SB-250	250:5	± 1%	6.0
1.0X2.5SB-300	300:5	± 1%	8.0



CALUS
E175133