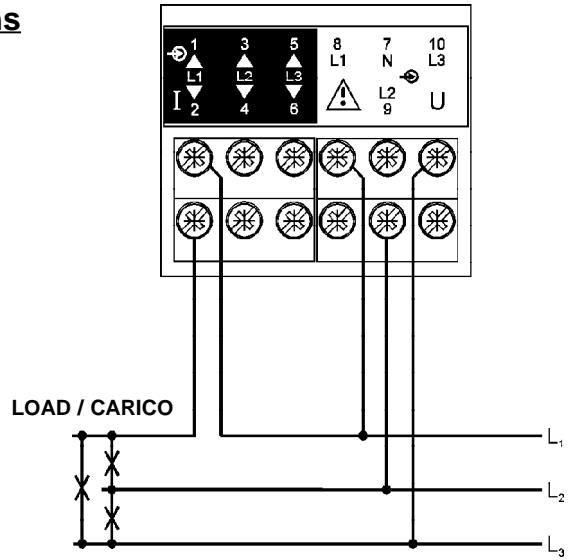


Three-phase input connections

Balanced load

Collegamenti ingresso trifase

Carico equilibrato

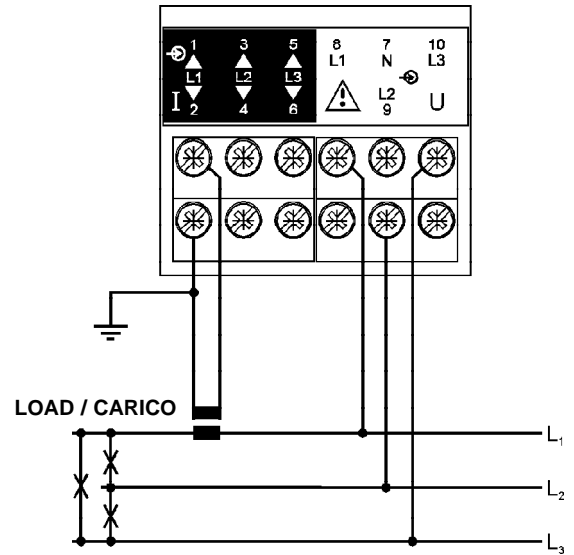


Direct connection

(3-wire system)

Collegamento diretto

(sistema a 3 fili)

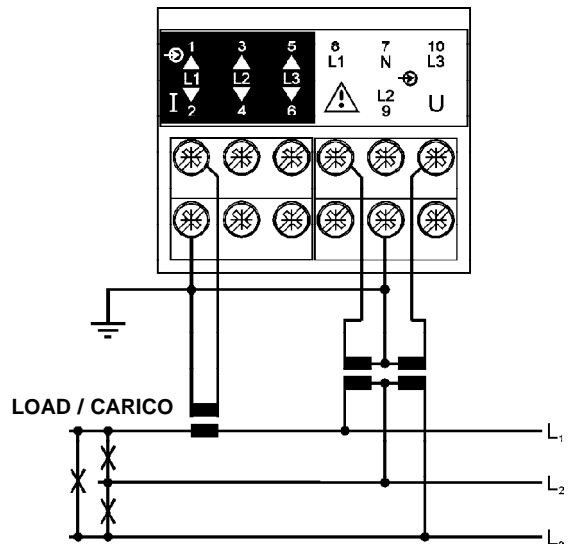


CT connection

(3-wire system)

Collegamento a TA

(sistema a 3 fili)



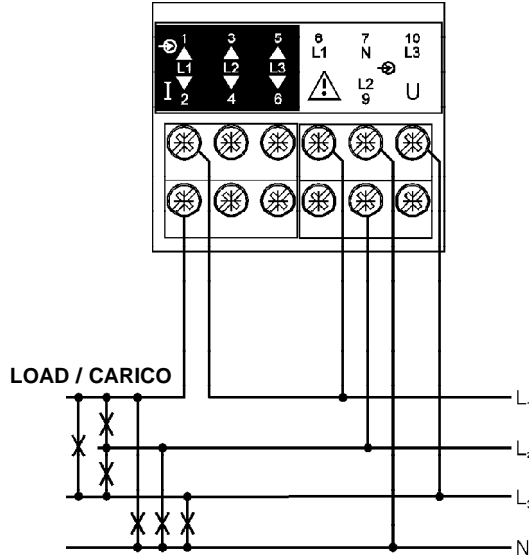
CT and VT connections

(3-wire system)

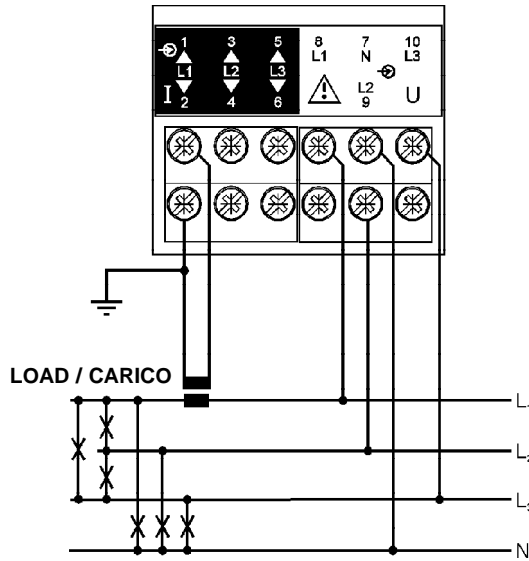
Collegamenti a TA e a TV

(sistema a 3 fili)

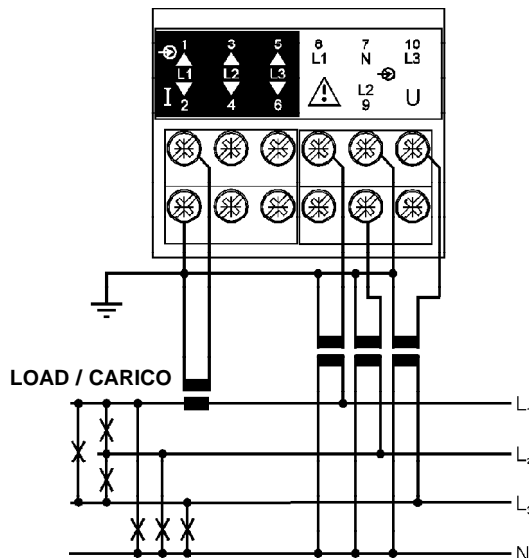
**Direct connection
(4-wire system)
Collegamento diretto
(sistema a 4 fili)**



**CT connection
(4-wire system)
Collegamento a TA
(sistema a 4 fili)**

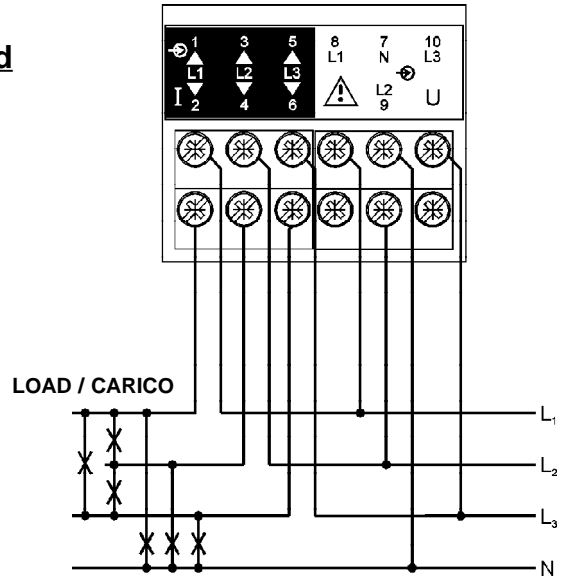


**CT and VT connections
(4-wire system)
Collegamenti a TA e a TV
(sistema a 4 fili)**

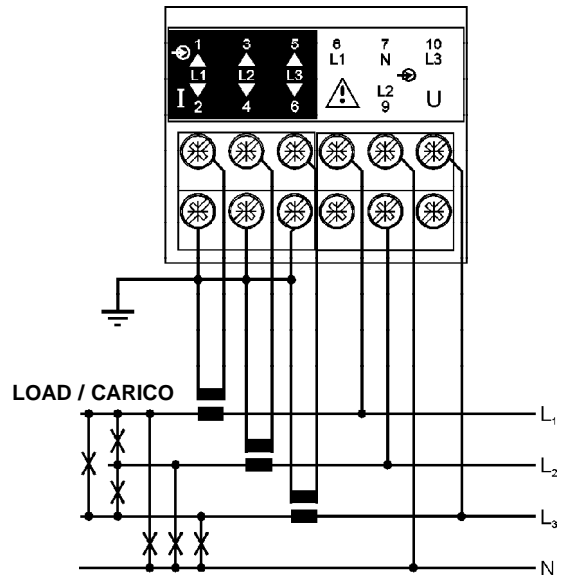


**Three-phase, 4-wire input
connections - Unbalanced load**
***Collegamenti ingresso trifase,
4 fili - Carico squilibrato***

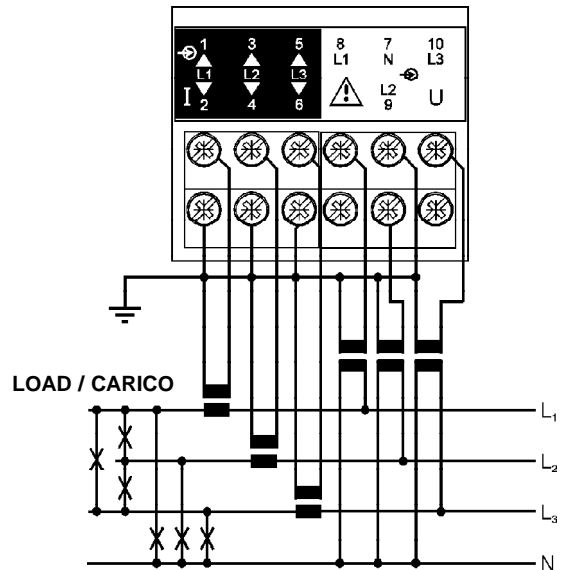
**Direct connection
(4-wire system)**
***Collegamento diretto
(sistema a 4 fili)***



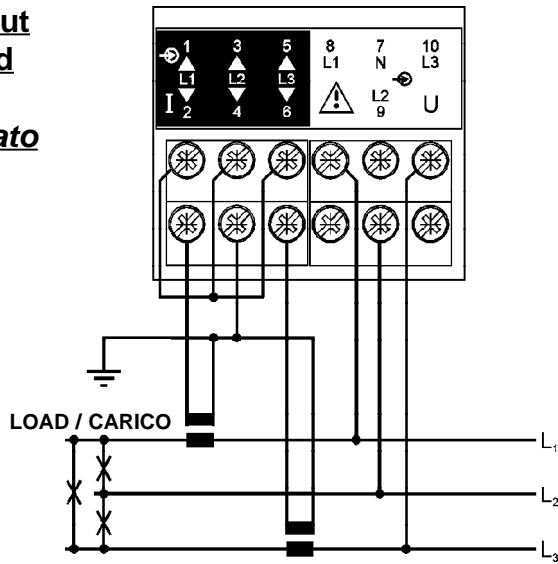
**CT connection
(4-wire system)**
***Collegamento a TA
(sistema 4 fili)***



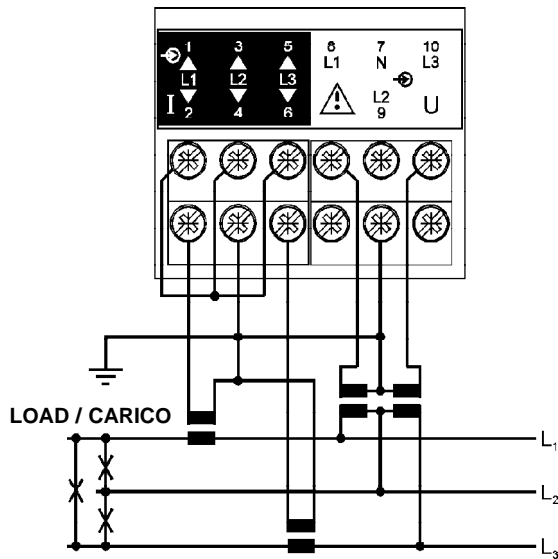
**CT and VT connections
(4-wire system)**
***Collegamenti a TA e a TV
(sistema 4 fili)***



Three-phase, 3-wire ARON input connections - Unbalanced load
Collegamenti ARON, ingresso trifase a 3 fili - Carico squilibrato



CT connection (3-wire system)
Collegamento a TA (sistema a 3 fili)



CT and VT connections (3-wire system)
Collegamenti a TA e a TV (sistema a 3 fili)

APPENDIX APPENDICE