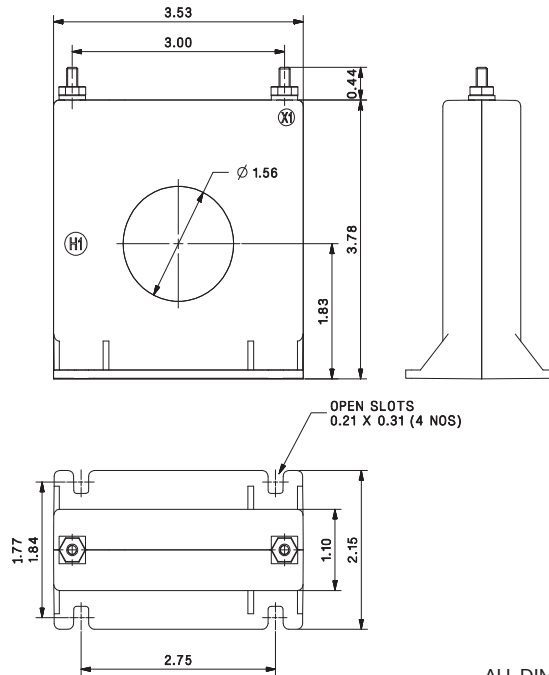


5SFT Series



ALL DIMENSIONS ARE IN INCHES

5SFT,

Specifications

Current Ratio	Class	VA
50	± 2%	1.0
75	± 2%	1.5
100	± 2%	2.0
150	± 1%	5.0
200	± 1%	5.0
250	± 1%	10
300	± 1%	12.5
400	± 1%	12.5
500	± 1%	20
600	± 1%	25
750	± 1%	25
800	± 1%	25
1000	± 1%	25
1200	± 1%	30.5

- Applicable Standard : ANSI/IEEE C57.13
- Case : 10% glass filled polycarbonate, flame retardant grades
- Classified UL 94V-0. Frequency : 50-400 Hz.
- Insulation Level : 10KV BIL full wave.
- For all the SFT types terminals are brass studs No. 8-32 with one flat washer, lock washer & regular nut

Used for ammeter, Wattmeters & cross current compensation
Approx. weight 1 lbs

ISE, Inc.

10100 Royalton Road • Cleveland OH 44133
(440) 237-3200 • Fax (440) 237-1744 • ISEinc.com • VARIAC.com • sales@iseinc.com