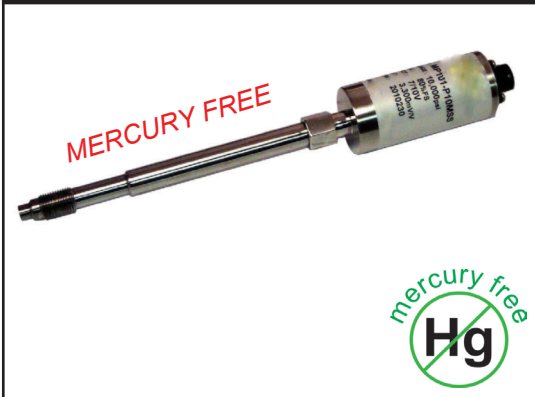


MELT PRESSURE TRANSDUCERS/TRANSMITTERS - NaK



http://ISEinc.com

MK100 SERIES



MK100 SERIES

The diaphragm transmits pressure through the NaK filled capillary for high temperature stability. Four active arm wheatstone bridge strain gage ensures high accuracy. The rigid stem makes installation fast and easy.

FEATURES MK100/200

- NaK -MERCURY FREE FILL**
- Standard 3.33mV/V**
- 6pin Bayonet Connector**
- 6" Stem**
- 18" Flex Hose (MK200)**
- 0.5% combined error**
- 80% Output Calibration**
- 750°F (400°C) Rating**
- Ranges from**
- 0-500 to 0-10,000psi Standard Inconel Diaphragm**

Interchangeable with all competitor's models.

MK200 SERIES



MK200 SERIES

SAME AS MK100 PLUS:

18" flexible capillary with stainless armor coating. This provides further thermal isolation and installation flexibility.

OUTPUT OPTIONS

2.5mV/V, 4-20mA, 0-5/0-10 VDC

CONNECTOR OPTIONS

6 Pin Bayonet, 8pin Screw, 6 Pin Gentran Style

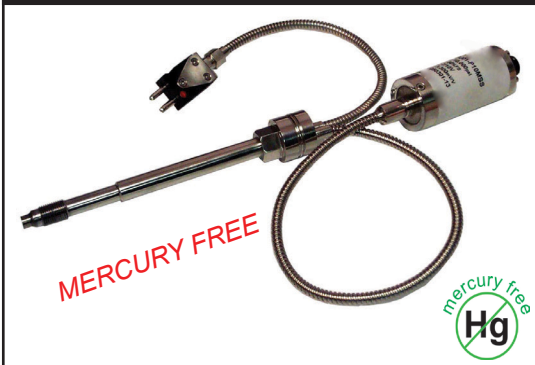
OPTIONAL DIAPHRAGMS

Hastelloy
Titanium Nitride
Inconel Tip + Thread

Other Options

"E" - Epoxy filled can
"W" - Welded Can with Epoxy Fill
9,12,18"STEM
24,30 or 60" Flex Hose (MK200)

MKX SERIES



MKX SERIES

SAME AS MK200 PLUS:

Temperature sensor mounted behind diaphragm. This provides temperature and pressure measurement from a single hole. The temperature sensor is field replaceable without removing pressure sensor.

FEATURES MKX

Same as MK200 Plus Field Replaceable Thermocouple Type J (Standard).

T/C type K or PT100 RTD also available.

SPECIFICATIONS

MECHANICAL

Ranges: 0-500 to 0-10,000psi
Max Error: 0.5% of Full Scale
Repeatability: +/-0.2%
Overload Capab: 2x Full Scale
Mount Torque: 150in-500 in-lbs

TEMPERATURE

Max Diaph. Temp: 1000°F(538°C)
Zero Shift of Diaph.: 10psi/100°F
Zero Shift of Elect.: 1%/100°F
Max Housing Temp: 250°F(120°C)

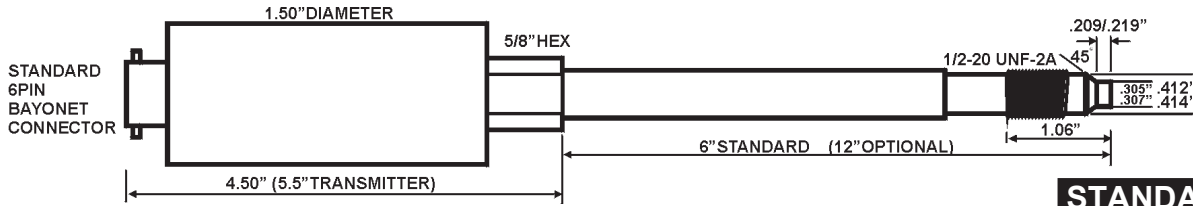
ELECTRICAL

Measuring Sensor: 350ohm Wheatstone Bridge
Internal Shunt Cal(2.5 or 3.3mV/V): 80% of FS
Zero&Span Adjust(0-5/10V or 4-20mA): +/-0.15% FS
Excitation: 2.5 or 3.3mV/V(7-12V recommend10V)
0-10V(14-36V) 0-5V(11-36V)
4-20mA(14-36V)

MK100 - NaK - RIGID STEM



http://ISEinc.com



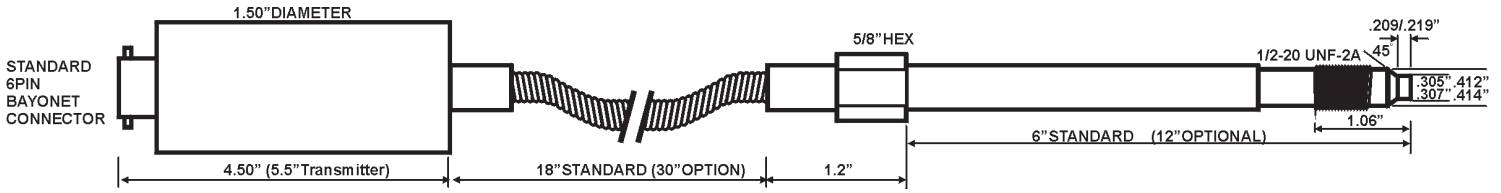
ORDER CODE

- MK1 X**
- 0 - 6"stem
 - 8 - 8"stem
 - 9 - 9"stem
 - 1 - 12"stem
 - 1 - 3.3mV/V
 - 2 - 2.5mV/V
 - 4 - 4-20mA
 - 5 - 0-5VDC
 - 6 - 1-5VDC
 - 7 - 0-10VDC
 - E - 4-20mA (4wire)
 - 5
 - 10
 - M - Psi x 1000
 - B - Bar x 100
 - P - MPa
 - K - kg/cm2
 - S - 6pin Bayonet
 - G - 6pin Screw
 - 8 - 8pin Screw
 - N - 1/2"NPT+ 36"Teflon
 - S - Standard Inconel
 - C - Chromium Nitride
 - T - Titanium Nitride
 - I - Inconel Tip + Threads
 - H - Hastelloy
 - D - Diamond Particulate
 -
 - M18 - M18x1.5
 - M10 - M10x1.0
 - .25 - 0.25% Accuracy
 - E - Epoxy Fill
 - W - Tig Welded Can with Epoxy Fill
 - 3V - Voltage Output (3 wire)

STANDARD		Inconel Tip All Outputs & Connectors	
PSI	STEM + Outputs		
500, 750, 1000	6"stem 3.3mv/v, 4-20mA, 0-10vdc		
1500, 3000	6"stem 3.3mv/v, 4-20mA, 0-10vdc		
5000*	6"stem 3.3mv/v, 4-20mA, 0-10vdc		
7500	6"stem 3.3mv/v, 4-20mA, 0-10vdc		
10000*	6"stem 3.3mv/v, 4-20mA, 0-10vdc		

*Quick Ship Models

MK200 - NaK - RIGID STEM + FLEX



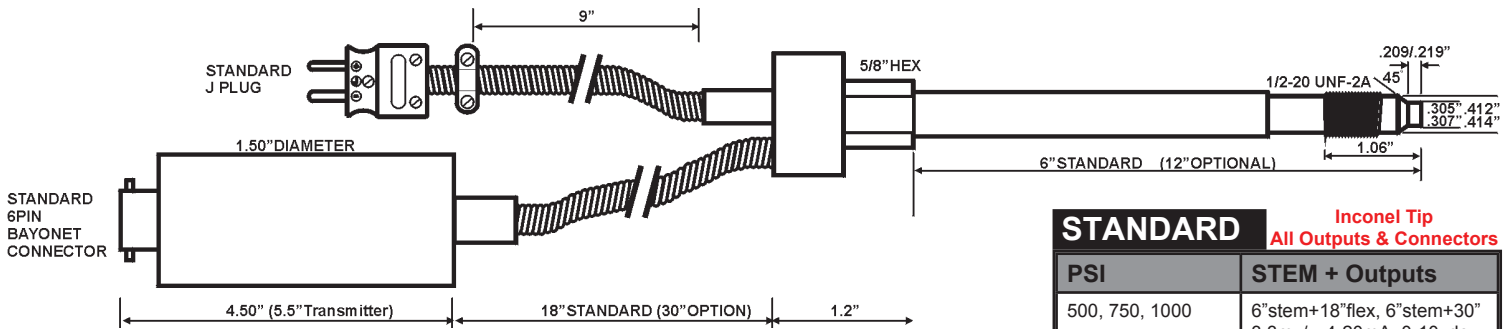
ORDER CODE

- MK2 X**
- 0 - 6"stem+18"Flex
 - 1 - 12"stem+18"Flex
 - 3 - 6"stem+30"Flex
 - 4 - 12"stem+30"Flex
 - 8 - 8"stem+18"Flex
 - 9 - 9"stem+18"Flex
 - 1 - 3.3mV/V
 - 2 - 2.5mV/V
 - 4 - 4-20mA
 - 5 - 0-5VDC
 - 6 - 1-5VDC
 - 7 - 0-10VDC
 - E - 4-20mA (4wire)
 - 5
 - 10
 - M - Psi x 1000
 - B - Bar x 100
 - P - MPa
 - K - kg/cm2
 - S - 6pin Bayonet
 - G - 6pin Screw (Gentram)
 - 8 - 8pin Screw
 - N - 1/2"NPT+ 36"Teflon Ins. Leads
 - S - Standard Inconel
 - C - Chromium Nitride
 - T - Titanium Nitride
 - I - Inconel Tip + Threads
 - H - Hastelloy
 - D - Diamond Particulate
 -
 - M18 - M18x1.5
 - M10 - M10x1.0
 - .25 - 0.25% Accuracy
 - E - Epoxy Fill
 - W - Tig Welded Can with Epoxy Fill
 - 3V - Voltage Output (3 wire)

STANDARD		Inconel Tip All Outputs & Connectors	
PSI	STEM + Outputs		
500, 750, 1000	6"stem+18"flex, 6"stem+30" 3.3mv/v, 4-20mA, 0-10vdc		
1500, 3000	6"stem+18"flex, 6"stem+30" 3.3mv/v, 4-20mA, 0-10vdc		
5000*	6"stem+18"flex, 6"stem+30" 3.3mv/v, 4-20mA, 0-10vdc		
7500	6"stem+18"flex, 3.3mv/v, 4-20mA, 0-10vdc		
10000*	6"stem+18"flex, 6"stem+30" 3.3mv/v, 4-20mA, 0-10vdc		

*Quick Ship Models

MKX - NaK - PRESSURE + TEMPERATURE



ORDER CODE

- MK X**
- J - T/c J
 - K - T/c K
 - P - PT100
 - 0 - 6"stem+18"Flex
 - 1 - 12"stem+18"Flex
 - 3 - 6"stem+30"Flex
 - 4 - 12"stem+30"Flex
 - 8 - 8"stem+18"Flex
 - 9 - 9"stem+18"Flex
 - 1 - 3.3mV/V
 - 2 - 2.5mV/V
 - 4 - 4-20mA
 - 5 - 0-5VDC
 - 6 - 1-5VDC
 - 7 - 0-10VDC
 - E - 4-20mA (4wire)
 - 5
 - 10
 - M - Psi x 1000
 - B - Bar x 100
 - P - MPa
 - K - kg/cm2
 - S - 6pin Bayonet
 - G - 6pin Screw
 - 8 - 8pin Screw
 - N - 1/2"NPT+ 36"Teflon
 - S - Standard Inconel
 - C - Chromium Nitride
 - T - Titanium Nitride
 - I - Inconel Tip + Threads
 - H - Hastelloy
 - D - Diamond Particulate
 -
 - M18 - M18x1.5
 - M10 - M10x1.0
 - .25 - 0.25% Accuracy
 - E - Epoxy Fill
 - W - Tig Welded Can with Epoxy Fill
 - 3V - Voltage(3 wire)

STANDARD		Inconel Tip All Outputs & Connectors	
PSI	STEM + Outputs		
500, 750, 1000	6"stem+18"flex, 6"stem+30" 3.3mv/v, 4-20mA, 0-10vdc		
1500, 3000	6"stem+18"flex, 6"stem+30" 3.3mv/v, 4-20mA, 0-10vdc		
5000*	6"stem+18"flex, 6"stem+30" 3.3mv/v, 4-20mA, 0-10vdc		
7500	6"stem+18"flex, 6"stem+30" 3.3mv/v, 4-20mA, 0-10vdc		
10000*	6"stem+18"flex, 6"stem+30" 3.3mv/v, 4-20mA, 0-10vdc		

*Quick Ship Models