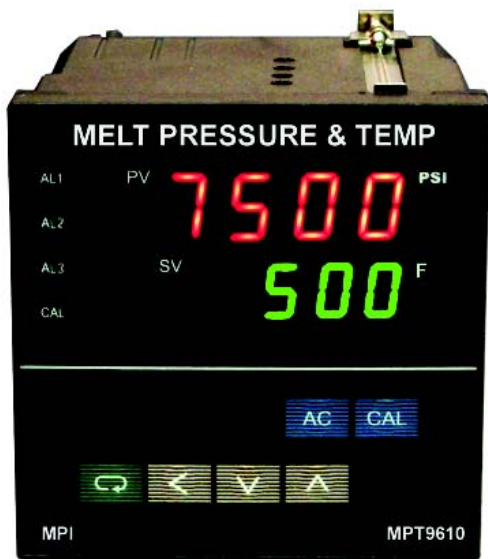


# MPT9610 - PRESSURE & TEMP INDICATOR

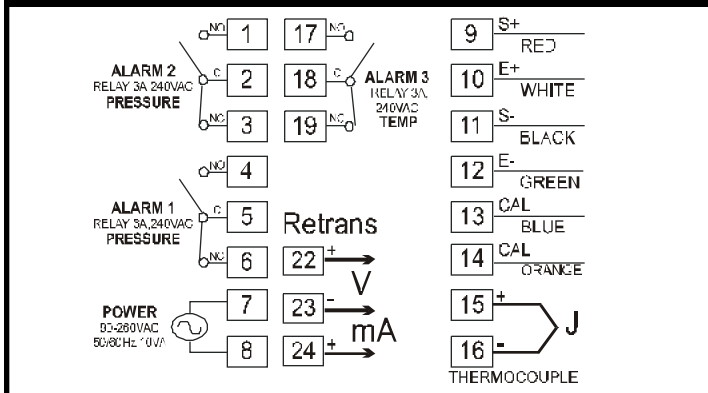


## STANDARD

**PRESSURE TRANSDUCER INPUT**  
**SCALEABLE RANGE**  
**3 CONFIGURABLE ALARMS**  
**HIGH/LOW/OFF TEMP or PRESS**  
**AUTO or MANUAL CALIBRATION**  
**MANUAL ZERO**  
**PROCESS VALUE - RETRANS**

**THERMOCOUPLE J INPUT**  
**LOCKOUT**

## TERMINAL CONFIGURATION



## MODEL CODE

MPT9610-PTRRR - RETRANS of PV - SCALE

RETRANS of PV
N NONE
M 4-20mA
0 0-10mA
1 0-20mA
5 0-5VDC
6 1-5VDC
10 0-10VDC

PRESSURE SCALES
3,000 psi
5,000 psi
7,500 psi
10,000 psi
700 bar
CUSTOM

TEMP SCALES
800 °F T/C-J
400 °C T/C-J
CUSTOM

## SPECIFICATIONS - MPT9610

### 1. INPUTS

**PRESSURE TRANSDUCER** 350ohm STRAIN GAUGE,  
 2.00 - 4.00mV/V, standard 3.3mV/V  
 EXCIT-10VDC  
**TEMPERATURE** THERMOCOUPLE J  
**ACCURACY** +/-0.5%  
**SAMPLE RATE** 100mS

### 2. ALARM OUTPUTS

ALARM 1 5A/240VAC resistive  
 ALARM 2 5A/240VAC resistive  
 ALARM 3 5A/240VAC resistive

### 3. RETRANSMISSION of PRESSURE VALUE

**CURRENT** 4-20mA, 0-20mA, 0-10mA Max load 500 ohm  
**VOLTAGE** 0-10VDC, 0-5VDC, 1-5VDC Max 20mA

### 4. POWER

**RATING** 85 - 265 VAC 50/60Hz 10VA max

### 5. ENVIRONMENTAL

**OPERAT TEMP** -10 - 50C  
**HUMIDITY** 90% MAX  
**INSULATION** 20M ohms minimum @ 500VDC

### 6. PHYSICAL DIMENSIONS

MPT9610 96mmW x 96mmH x 100mmD  
 MPT9610 Cutout 91mmW x 91mmH +/-0.5mm  
**WEIGHT** 300g