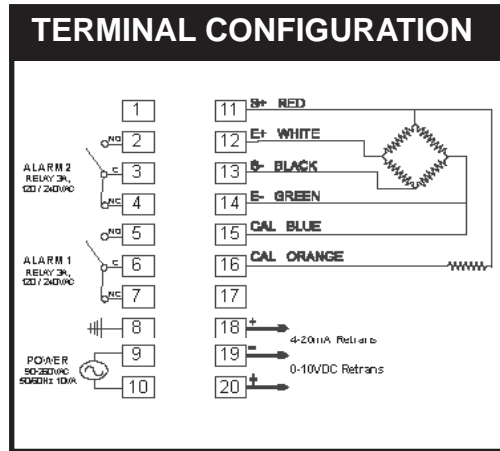


MP9410 - PRESSURE INDICATOR ALARM - 1/8DIN



STANDARD

- 350ohm STRAIN GAGE INPUT
- SCALEABLE RANGE
- 2 CONFIGURABLE ALARMS
- HIGH/LOW/OFF
- AUTO / MANUAL CALIBRATION
- MANUAL ZERO
- LOCKOUT
- PROCESS VALUE - RETRANS

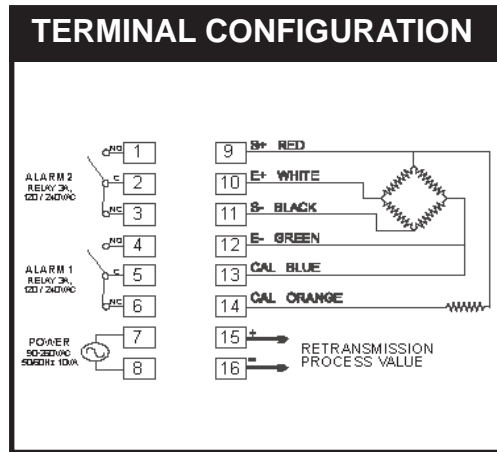
MODEL CODE

MP9410-PRR -

| RETRANS of PV | |
|---------------|--------|
| M | 4-20mA |
| 0 | 0-10mA |
| 1 | 0-20mA |
| 5 | 0-5V |
| 6 | 1-5V |
| 10 | 0-10V |



MP9610 - PRESSURE INDICATOR ALARM - 1/4DIN



STANDARD

- 350ohm STRAIN GAGE INPUT
- SCALEABLE RANGE
- 2 CONFIGURABLE ALARMS
- HIGH/LOW/OFF
- AUTO/MANUAL CALIBRATION
- MANUAL ZERO
- LOCKOUT
- PROCESS VALUE - RETRANS

MODEL CODE

MP9610-PRR -

| RETRANS of PV | |
|---------------|--------|
| M | 4-20mA |
| 0 | 0-10mA |
| 1 | 0-20mA |
| 5 | 0-5V |
| 6 | 1-5V |
| 10 | 0-10V |



SPECIFICATIONS - MP9410 & MP9610

INPUT - PRESSURE TRANSDUCER

350ohm STRAIN GAUGE 2.00-4.00mV/V standard 3.30mV/V
 EXCITATION VOLTAGE 10VDC
 ACCURACY +/-0.5%
 SAMPLE RATE 100ms

ALARM OUTPUTS

ALARM 1 5A/240VAC resistive NO/NC
 ALARM 2 5A/240VAC resistive NO/NC

RETRANSMISSION of PROCESS VALUE

CURRENT 4-20mA, 0-20mA, 0-10mA Max load 500 ohm
 VOLTAGE 0-5VDC, 1-5VDC Max 20mA

POWER

RATING 85 - 265 VAC 50/60Hz 10VA max

ENVIRONMENTAL

OPERATING TEMP -10 - 50C
 HUMIDITY 90% MAX
 INSULATION 20M ohms minimum @ 500VDC
 WEIGHT 300g

PHYSICAL DIMENSIONS

MP9410 96mmW x 48mmH x 100mmD
 MP9410 Cutout 91mmW x 45mmH +/-0.5mm
 MP9610 96mmW x 96mmH x 100mmD
 MP9610 Cutout 91mmW x 91mmH +/-0.5mm