

Panel Mount Counters

DT-6LS

Small on the pocketbook, big on features!

For a simple, versatile and economical counter, the DT-6LS is the unit of choice! An up-count only counter, the DT-6LS accepts input frequencies as high as 2KHz and responds to different types of input signals, i.e. relay contacts, sine wave and square wave pulses. A front panel manual reset button is available.

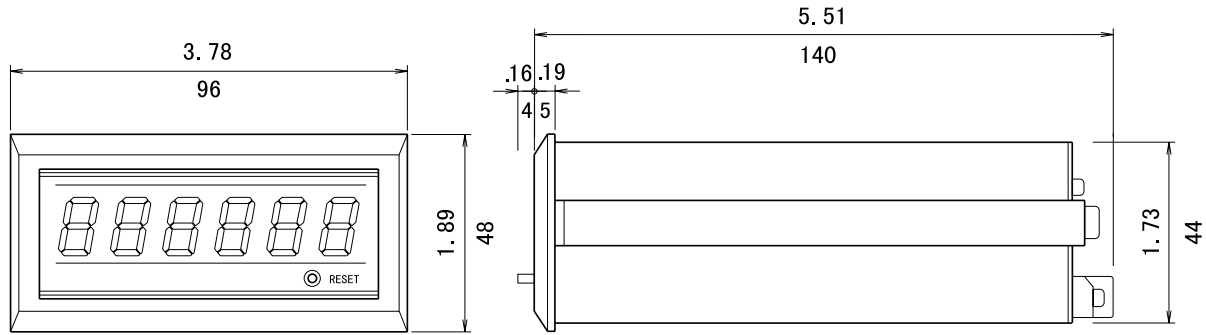


Features

Benefits

Large 6 digit LED display	Can be viewed from great distances
Multi-input signal acceptance	Makes selection of sensors much easier
Easy intuitive operation	Saves money when simple counting is required
1000 hour power failure back-up memory	Retains memory during maintenance cycles
1/8 din mounting	Popular panel cutout permits easy mounting

Panel Mount Counters



Information on DT-6LS compatible **SENSORS** can be found on pages 38-39.

SPECIFICATIONS

Model	DT-6LS
Counter Type	Up count only
Display Range	0 - 999,999
Measuring Range	0 - 999,999
Resolution	0, 0.0, 0.00, 0.000 (selectable)
Display	6 digit, LED, 0.6" (15.2 mm) high
Decimal Point	Selectable
Input Frequency	2 kHz max. (sine or square wave), 30 Hz (switching contacts)
Input Signal Characteristics	sine wave, square wave, switching contacts
Input Signal Amplitude	2 - 30 V p-p
Sensor Power Supply	12 VDC (50 mA max.)
Voltage Requirement	120 VAC, 50/60 Hz
Power Consumption	N/A
Ambient Temperature	32° - 113° F (0 - 45° C)
Weight	1.13 lb (600 g)
Dimensions	5.75" L x 3.78" W x 1.89" H (146 mm x 96 mm x 48 mm)
Warranty	1 year
OPTIONAL ACCESSORIES	Sensors