

# Digital Stroboscopes

## DT-314

### *Economical unit for machine vision applications*

Our straightforward DT-314 is intended to be machine mounted for continual visual inspection and monitoring of the machine's action; it operates only on external mode in order to synchronize its flashing with the speed (rotation, vibration, etc.) of the equipment under observation. No display is necessary, as the strobe's main function is to observe the action as it happens, resulting in an incredibly rugged and economical unit.



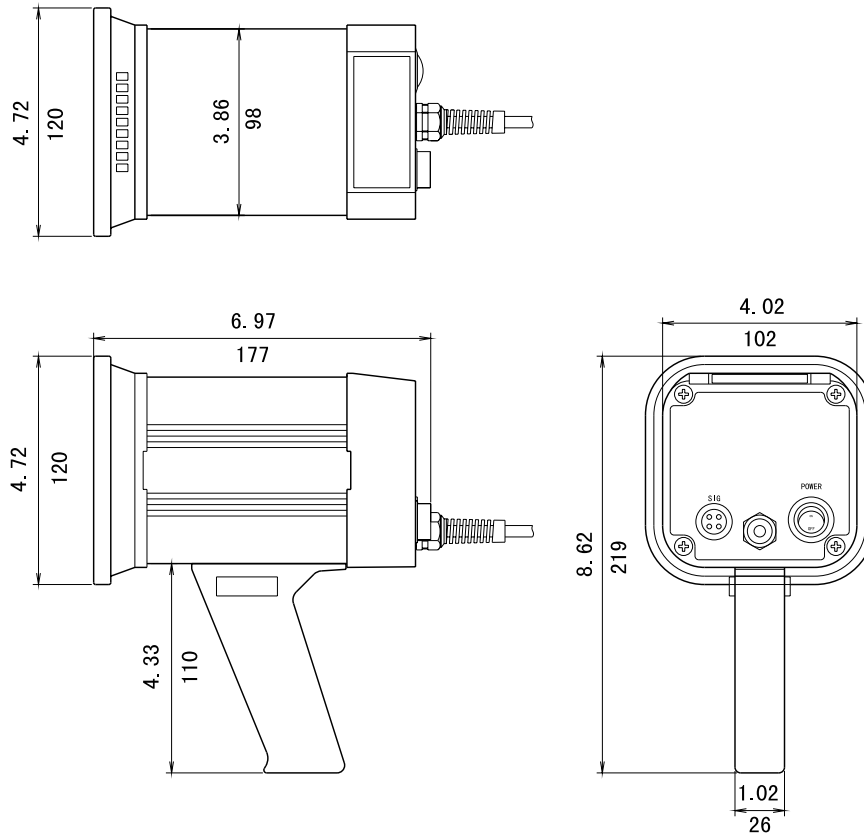
### **Features**

### **Benefits**

<b>Rugged aluminum construction</b>	Assures maintenance-free performance for many years
<b>Highly polished focused reflector</b>	Eliminates "blind" viewing areas
<b>External trigger</b>	Unit's flash rate is automatically synchronized with equipment or other strobes
<b>Continuous duty cycle</b>	Prevents downtime waiting for unit to cool
<b>Synchronous output</b>	Permits unit to power other strobes



# Digital Stroboscopes



## SPECIFICATIONS

Model	DT-314
Flashing Range	0 - 15,000 FPM (flashes per minute)
Accuracy	±0.01 % of 1 digit
Output Signal	Pulse width 50 $\mu$ sec min. LO level : 0 -0.4 VDC, HI level : 2.5 - 12 VDC
External Trigger Input Signal	LO level : 0 -0.8 VDC, HI level : 2.5 - 12 VDC or open collector (NPN), pulse width 50 $\mu$ sec min.
Input Impedance	10 K $\Omega$
Display	None
Flash Tube Power/Life	Xenon, 10 W max. (100 million flashes)
Flash Duration	50 $\mu$ sec approx.
Sensor Power Supply	12 VDC $\pm$ 0.5 V (50 mA)
Power Requirement	115 VAC or 220 VAC $\pm$ 10 % 60/50 Hz, 30 VA (specify voltage)
Operating Temperature Range	32° - 104° F (0 - 40° C)
Weight	2.4 lb (1.1 kg)
Dimensions	6.97" L x 4.72" W x 4.72" H (177 mm x 120 mm x 120 mm)
Warranty	1 year
OPTIONAL ACCESSORIES	Carrying case, sensors