

Panel Mount Tachometers

DT-5RL-1 DT-5RL-2 DT-5RL-3

The economical choice!

Our DT-5RL panel mount tachometer offers a high accuracy rate (0.01% F.S.) usually found in more expensive models. With a 5 digit LED display, this unit is designed to fit a 1/8 din panel cutout. The DT-5RL is scalable, enabling it to read and display rotational (RPM) and linear speeds.



Features

Fully scalable

Selectable PPR
(1-9999 pulses per revolution)

Available in 110 or 220VAC
(50/60)Hz

Provides DC power supply to power
various sensors

Highly accurate (0.01% F.S.)

Rugged construction

Benefits

Allows selection of RPM or linear
speeds through the front panel
buttons

Accommodates all sensors commonly
used with panel meters

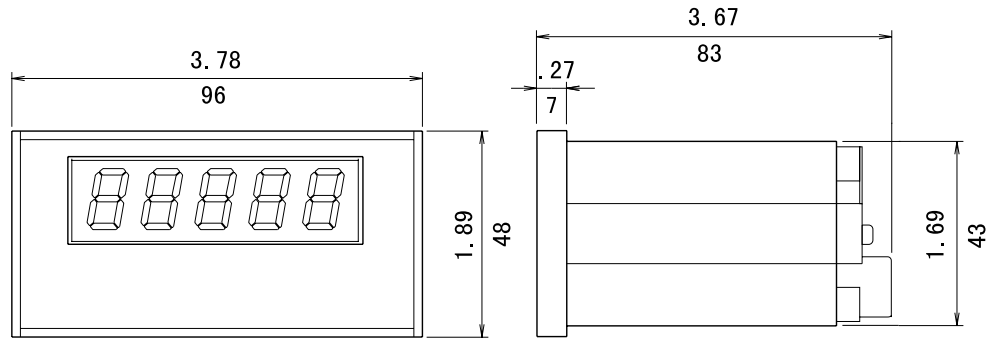
Eliminates the need to stock low and
high voltage versions to change
transformers

Saves money by eliminating the need
for a dedicated power supply

Assures reliable results

Durability built in

Panel Mount Tachometers



Information on DT-5RL compatible **SENSORS** can be found on pages 38-39.

SPECIFICATIONS

Model	DT-5RL
Display Range	0 - 99,999 RPM
Accuracy	0.01 % F.S.
Display Update Time	1 second
Display	5 digit 0.56" (14.22 mm) high LED
Decimal Point	Selectable
Input No. of P/R	1 - 9999
Input Signal Characteristics	DT-5RL-1 accepts TTL signal DT-5RL-2 accepts NTN open collector signal DT-5RL-3 accepts 1-60 VAC signal
Input Frequency	5 kHz max.
Sensor Power Supply	12 VDC (40 mA max.)
Voltage Requirement	120 VAC or 220 VAC $\pm 10\%$, 50/60 Hz (12, 24, 48 VDC at 1 W also available)
Ambient Temperature	32° - 120° F (0 - 50° C)
Weight	0.7 lb (320 g)
Dimensions	3.67" L x 3.78" W x 1.89" H (83 mm x 96 mm x 48 mm)
Warranty	1 year
OPTIONAL ACCESSORIES	Sensors