

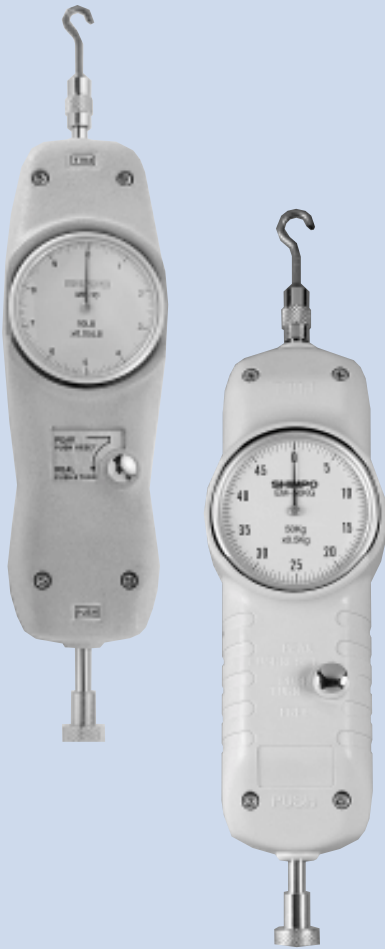
Mechanical Force Gauges

MF & EM Series

Highly accurate and rugged - can be used anywhere!

Incredibly durable and user-friendly, our economical MF and EM mechanical gauges are excellent for repetitive testing in assembly line or quality control lab applications. The peak mode features an easy push-button reset; this is especially helpful for doing repetitive testing in an assembly line or quality control lab. The real time mode allows you to see force changes as they occur. Ergonomically designed for handheld use, both gauges may be used with the optional handle (great for loads over 15 pounds). Due to their mechanical design, response time is immediate. Large, easy to read dial indicators are designed to reduce gauge parallax.

The MF gauges feature a die-cast aluminum housing; the EM gauges feature a durable, lightweight ABS plastic housing. Both gauges mount easily to all Shimpo test stands for even greater control of repetitive testing.



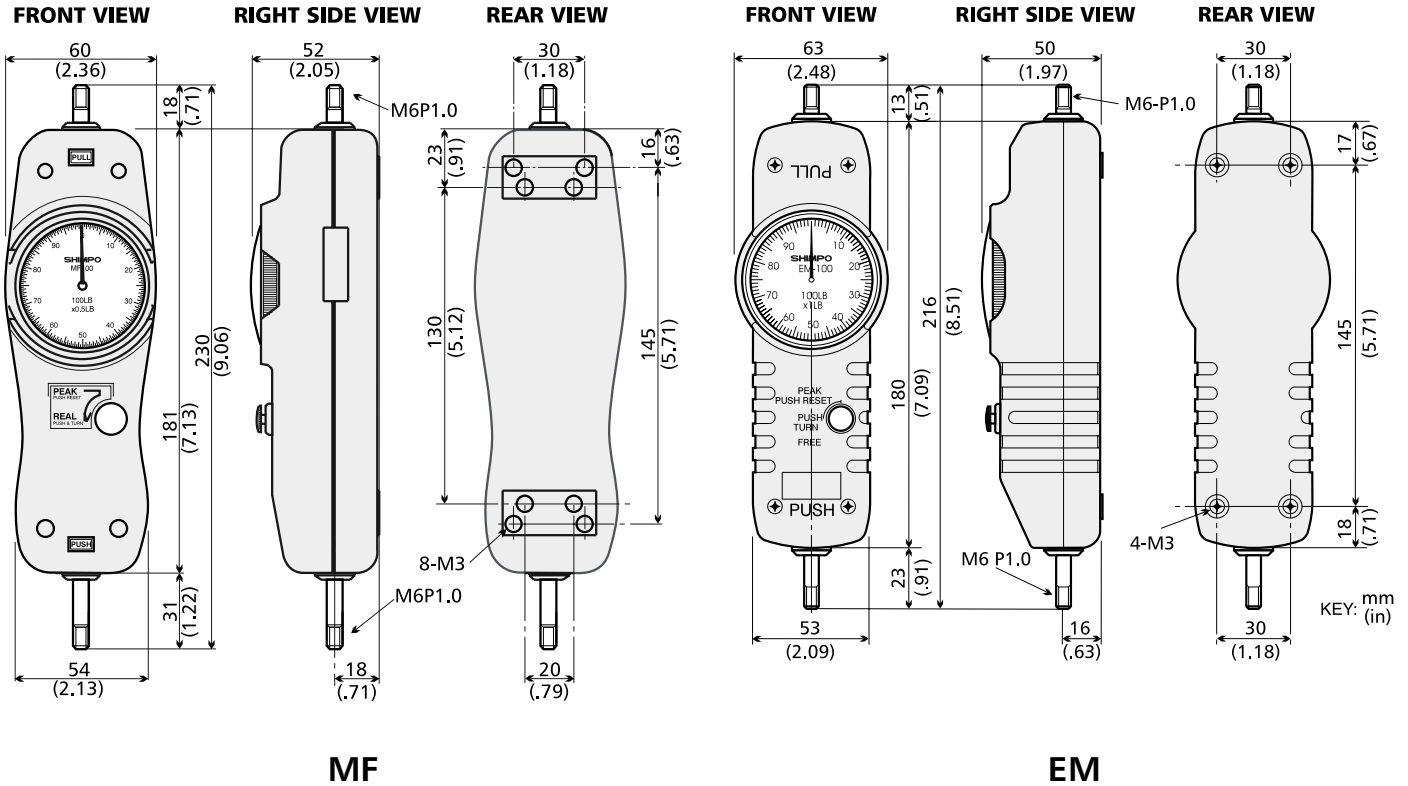
MF with FGS-50H
manual test stand

Features

Benefits

Outstanding accuracy ($\pm 0.2\%$ FS)	Ideal for even the strictest tolerances
Peak mode	Easy push-button reset; holds peak at maximum readings
Precision gauge movement	Allows user to observe force changes as they occur
Exceptionally rugged and dependable	Can be used in even the harshest conditions
Smooth mechanical operation	Precise action enhances confidence
English and metric models available	Satisfy many testing parameters
Measure both tension and compression forces	Only one gauge needed for insertion/withdrawal tests
Overload protected to 165 pounds	Protects gauge from damage
Ergonomically designed	Perfect for handheld use
Two year warranty	Peace of mind

Mechanical Force Gauges



MF & EM SPECIFICATIONS

Accuracy	±0.2% FS.
Display	Analog dial, 2" in diameter (50 mm); Rotatable 360° for taring purposes
Real/Peak Mode	Selectable
Display Update	Immediate
Overload Capacity	165 lb (75 kg)
Standard Accessories	Carrying case and 6 attachments (flat head, hook, chisel, notched head, cone head and extension rod) The MF Series also includes a large hook and large V-hook
OPTIONAL ACCESSORIES	Test stands, handle and attachments

MF SERIES (ALUMINUM HOUSING)

ENGLISH DIAL								
Model	MF-2	MF-5	MF-10	MF-20	MF-30	MF-50	MF-100	
Capacity	2 lb	5 lb	10 lb	20 lb	30 lb	50 lb	100 lb	
Dial Graduation	0.01 lb	0.025 lb	0.05 lb	0.1 lb	0.2 lb	0.25 lb	0.5 lb	
METRIC DIAL								
Model	MF-1KG	MF-2KG	MF-3KG	MF-5KG	MF-10KG	MF-20KG	MF-30KG	MF-50KG
Capacity	1 kg	2 kg	3 kg	5 kg	10 kg	20 kg	30 kg	50 kg
Dial Graduation	0.005 kg	0.01 kg	0.02 kg	0.025 kg	0.05 kg	0.1 kg	0.2 kg	0.25 kg

EM SERIES (ABS HOUSING)

ENGLISH DIAL								
Model	EM-2	EM-5	EM-10	EM-20	EM-30	EM-50	EM-100	
Capacity	2 lb	5 lb	10 lb	20 lb	30 lb	50 lb	100 lb	
Dial Graduation	0.02 lb	0.05 lb	0.1 lb	0.2 lb	0.2 lb	0.5 lb	1 lb	
METRIC DIAL								
Model	EM-1KG	EM-2KG	EM-3KG	EM-5KG	EM-10KG	EM-20KG	EM-30KG	EM-50KG
Capacity	1 kg	2 kg	3 kg	5 kg	10 kg	20 kg	30 kg	50 kg
Dial Graduation	0.01 kg	0.02 kg	0.02 kg	0.05 kg	0.1 kg	0.2 kg	0.2 kg	0.5 kg