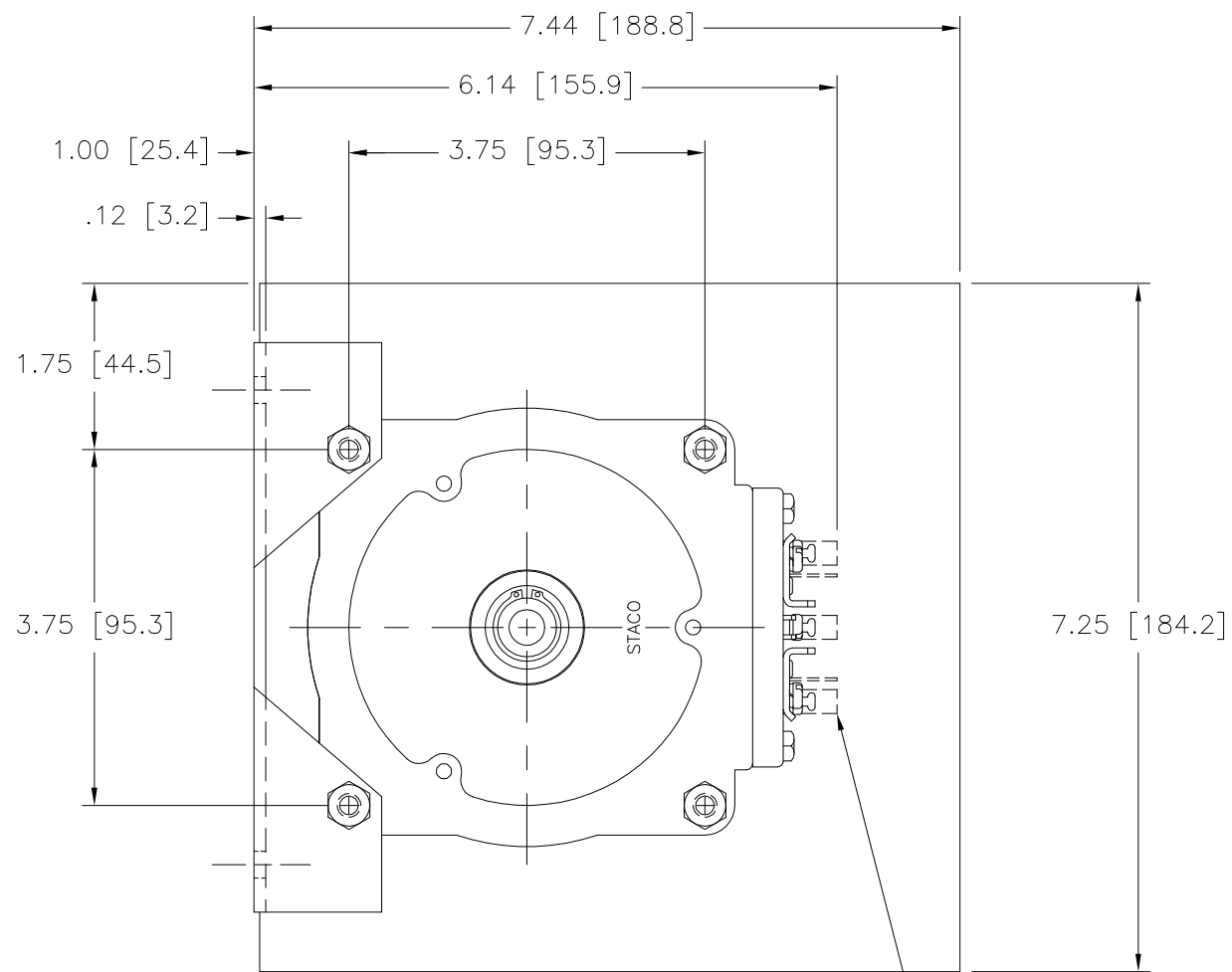
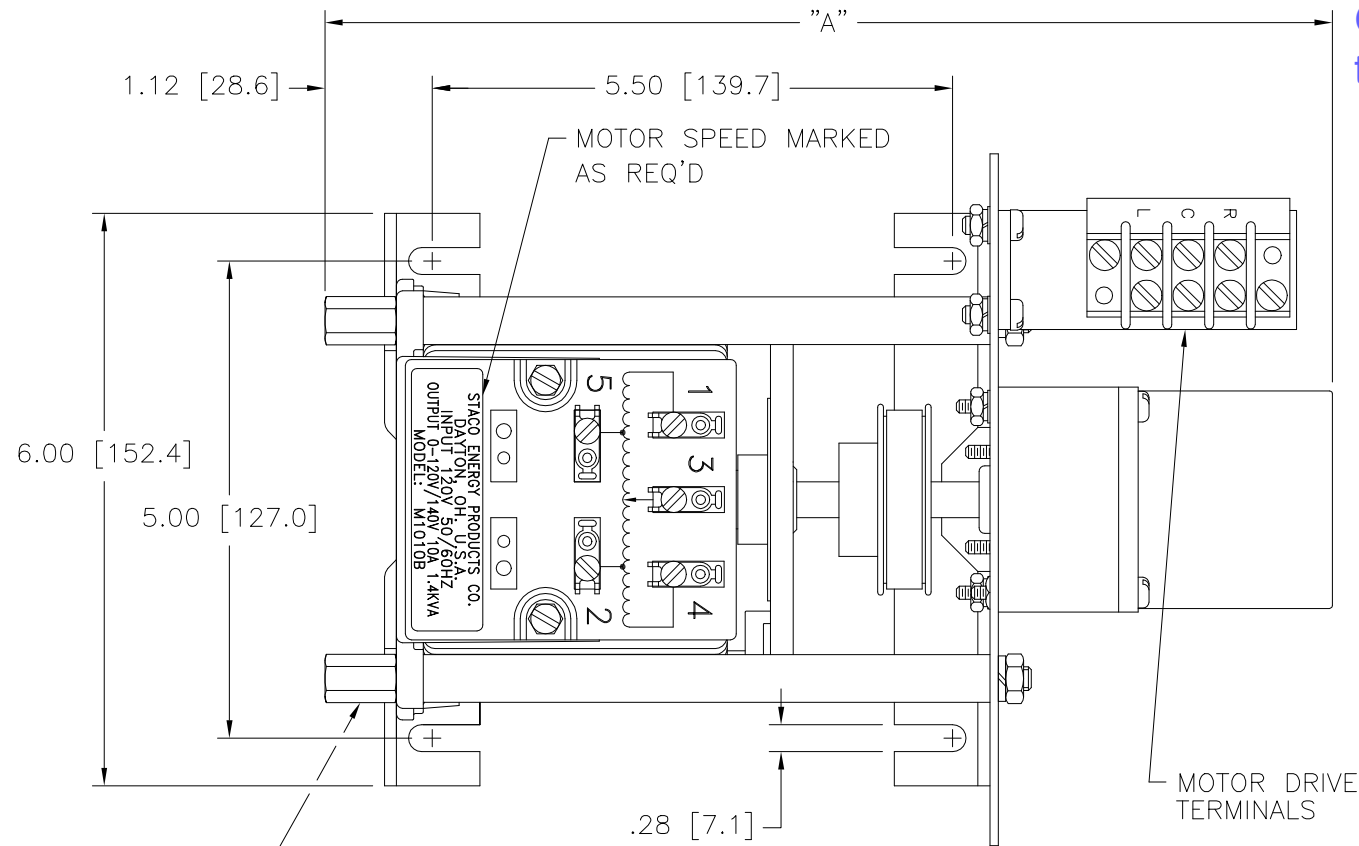


DWG. NO.	031-1710		
REVISIONS			
SYM.	E.C.N.	DATE	APVD.
A	24194	3/17/00	
DELETED BLIND HOLES			

Go to VARIAC.com
to purchase and for
technical support.
Made in the USA



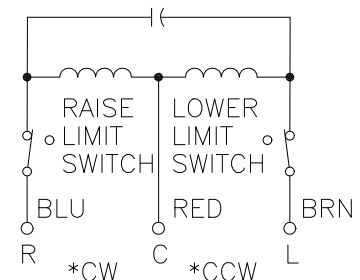
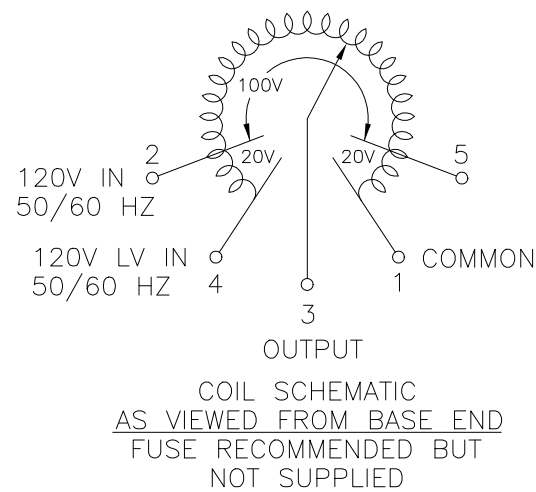
OPTIONAL TERMINALS
FOR PUSH ON OR
SOLDER CONNECTIONS
(.032 X .250) [0.8 X 6.4]



(4) STANDOFFS TAPPED
1/4-28 X .38 [9.5] DEEP
FOR MOUNTING BOLTS

MOTOR DRIVE
TERMINALS

(4) PLACES FOR
CUSTOMER MOUNTING



MOTOR CIRCUIT
120V, 50/60 HZ
* ROTATION AS VIEWED
FROM MOTOR END
MOTOR SPEED: SEE CHART

+ MOTOR DRIVEN UNITS USE TERMINAL CONNECTIONS FOR CCW INCREASING VOLTAGE, AS VIEWED FROM BASE END.

WIRING	INPUT		OUTPUT				SHAFT ROTATION TO INCREASE VOLTAGE	TERMINAL CONNECTIONS			
	VOLTS	HERTZ	VOLTS	CONSTANT CURRENT LOAD		CONSTANT IMPEDANCE LOAD		FOR INCREASING VOLTAGE AS VIEWED FROM BASE END +			
				MAX. AMPS	MAX. KVA	MAX. AMPS		MAX. KVA	INPUT	JUMPER	OUTPUT
SINGLE PHASE	120	50/60	0-120	10	1.2	13	1.56	CW	1-4	---	4-3
			0-140	10	1.4	---	---	CCW	1-4	---	1-3
								CW	4-5	---	4-3
								CCW	2-1	---	1-3

SPEED (SECONDS)	MODEL NUMBER	DIM "A"
5	5M1010B	10.56 [268.2]
15	15M1010B	10.56 [268.2]
30	30M1010B	10.95 [278.1]
60	60M1010B	10.95 [278.1]

UNLESS OTHERWISE SPECIFIED, TOLERANCE IS # DECIMALS .005 HOLES .002 ANGLES 1° DRAFT 1-1/2° UNITS IN [mm] MATERIAL: ALL DIMENSIONS APPLY AFTER PLATING

TITLE: SPEC. CONTROL DRAWING MOTORIZED VARIABLE XFMR MODEL: M1010B

DRAWN BY: S.A. SMITH DATE: 9/18/97 FIRST USED ON: DO NOT SCALE DWG. CUSTOMER APPROVAL: DATE: CHECKER: DATE: WEIGHT APPROX. 16.75 CODE IDENT. NO. 83008 DWG. NO. 031-1710 ENGINEER: DATE: SCALE 1=1 SHEET 1 OF 1

STACO
ENERGY PRODUCTS CO.
A COMPONENTS CORPORATION OF AMERICA COMPANY
DAYTON, OHIO U.S.A.