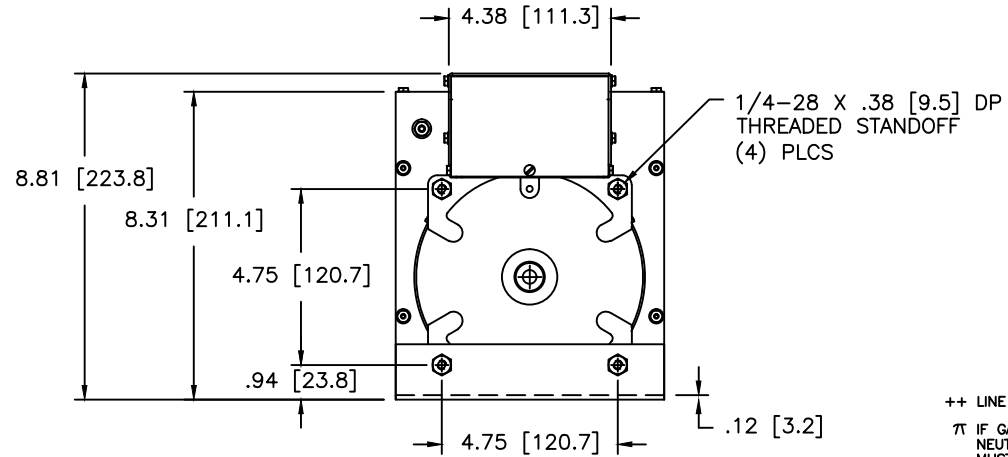


SPEED (SECONDS)	MODEL NUMBER
5	5M1510CT-2
15	15M1510CT-2
30	30M1510CT-2
60	60M1510CT-2



++ LINE TO LINE VOLTAGE.  
 ⚠ IF GANGED UNITS ARE USED IN A SYSTEM THAT ORDINARILY HAS A COMMON NEUTRAL OR GROUND BETWEEN SOURCE AND LOAD, THE NEUTRAL OR GROUND MUST BE CONNECTED TO THE COMMON TERMINALS OF THE VARIABLE TRANSFORMER ASSEMBLY. IF THE SYSTEM HAS NO NEUTRAL, THE LOAD MUST BE BALANCED OR THE TRANSFORMER WILL BE DAMAGED.  
 ■ JUMPER PROVIDED IN STANDARD COMMON POSITION AND SHOULD BE MOVED OR REMOVED AS REQUIRED.

SPECIFICATIONS											
WIRING	INPUT		OUTPUT				SHAFT ROTATION TO INCREASE VOLTAGE	TERMINAL CONNECTIONS			
	VOLTS	HERTZ	VOLTS	CONSTANT CURRENT LOAD	CONSTANT IMPEDANCE LOAD	MOTOR DRIVEN UNITS USE CCW FOR INCREASING VOLTAGE AS VIEWED FROM BASE END ■					
				MAX. AMPS	MAX. KVA	MAX. AMPS	MAX. KVA	INPUT	JUMPER	OUTPUT	
SINGLE PHASE SERIES	240	50/60	0-240	15	3.60	20	4.80	CW	2-2	4-4	3-3
			0-280	15	4.20	—	—	CCW	4-4	2-2	3-3
				—	—	—	—	CCW	1-1	4-4	3-3
THREE PHASE OPEN DELTA	120	50/60	0-120	15	3.12	20	4.15	CW	2-4-2	4-4	3-4-3
			0-140	15	3.64	—	—	CCW	4-2-4	2-2	3-2-3
				—	—	—	—	CCW	1-4-1	4-4	3-4-3
								5-2-5	2-2	3-2-3	

UNLESS OTHERWISE SPECIFIED, TOLERANCE IS ± .00015 INCHES (0.00381 MM) FOR DIMENSIONS APPLICABLE TO ALL PARTS.  
 DIMENSIONS APPLY UNLESS OTHERWISE SPECIFIED.  
 TITLE: SPEC. CONTROL DRAWING VARIABLE TRANSFORMER M1510CT-2  
 DRAWN BY: T.SNAY DATE: 1/18/05 FIRST USED ON: DO NOT SCALE DWG.  
 CHECKED BY: F.SEALE DATE: 1/3/07 WEIGHT: 4.4-5.0 LBS. QWG CODE: 6.3008  
 ENGINEER: F.SEALE DATE: 1/3/07 SCALE: .50=1 SHEET 1 OF 1  
 STACO ENERGY PRODUCTS CO.  
 A Conbraco Corporation of America Company  
 214 South Boulevard, Dayton, Ohio 45403-0004  
 DWG. NO. 031-3840