

West 6010 1/16 DIN Indicator



The West 6010 digital indicator provides clear identifiable data for any process. It includes universal input with a choice of alarms.

- Large four-digit display
- One or two alarms
- Universal input
- Sensor break detection
- 90-264V AC supply
- 24-48V AC or DC option
- Remote lock option
- PV retransmit option



Technical Data

Features

Output Configuration
Alarm 1 & 2 Types
Human Interface

Up to 3 total., max 2 for Alarms, max 1 for retransmit of Process value
Process high, process low, direct or reverse action
3 button operation, 4 digit 10mm & 8mm high LED displays, plus set-up and alarm LED indicators

Input

Thermocouple
RTD
DC Linear

Impedance
Accuracy
Sampling
Sensor Break Detection

J, K, R, S, T, B, L, & N.
3 Wire PT100, 50Ω per lead maximum (balanced)
0-20/4-20mA, 0-50/10-50mV, 0-5/1-5/0-10/2-10V. Scaleable -1999 to 9999, dec point available
>100MΩ for Thermocouple and mV ranges, 47KΩ for V ranges and 4.7Ω for mA ranges
+/- 0.25% of input span +/- 1 LSD (T/C CJC better than 0.7°C)
4 per second, 14 bit resolution approximately
<2 secs (except zero based DC ranges), control O/P's turn off, high alarms activate for T/C and mV ranges, low alarms activate for RTD, mA or V ranges.

Outputs & Options

Alarm Relays

Retransmit Outputs
Remote Lock Input

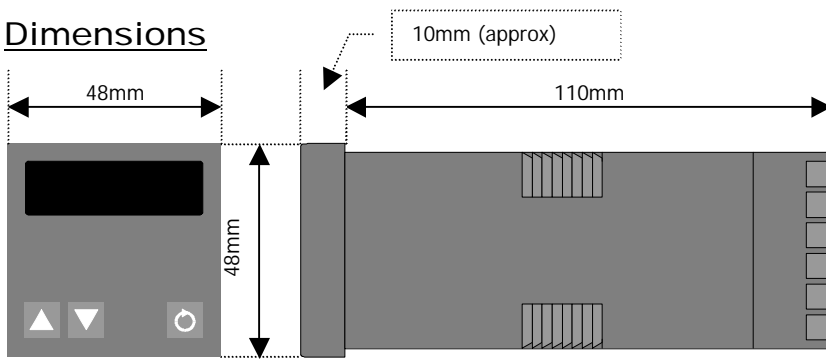
Contacts SPDT 2Amp resistive at 240V AC, >500,000 operations (one relay fitted as standard, one optional)
0-20/4-20mA into 500Ω max, 0-10/0-5V into 500Ω min. Accuracy typically +/- 0.25%
External selection of set-up mode. Volt free or TTL input (Set-up = 2 to 24V, or contact open, exit = -0.6 to 0.8V, or contact closed)

Operating & Environmental

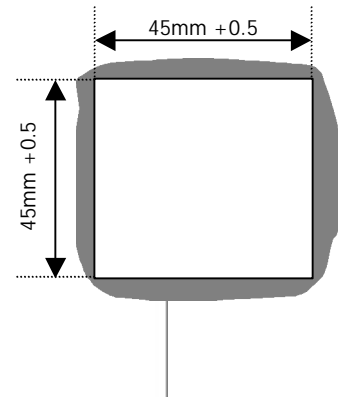
Temperature & RH
Power Supply
Front Panel Protection
Approvals and Certification

0 to 55°C (-20 to 80°C storage), 20% to 95%RH non-condensing
90 to 264V 50/60Hz (optional 20 to 55V AC/22 to 65V DC), approx 4 Watts
IEC IP66 (Behind panel protection is IP20)
CE, UL & ULc

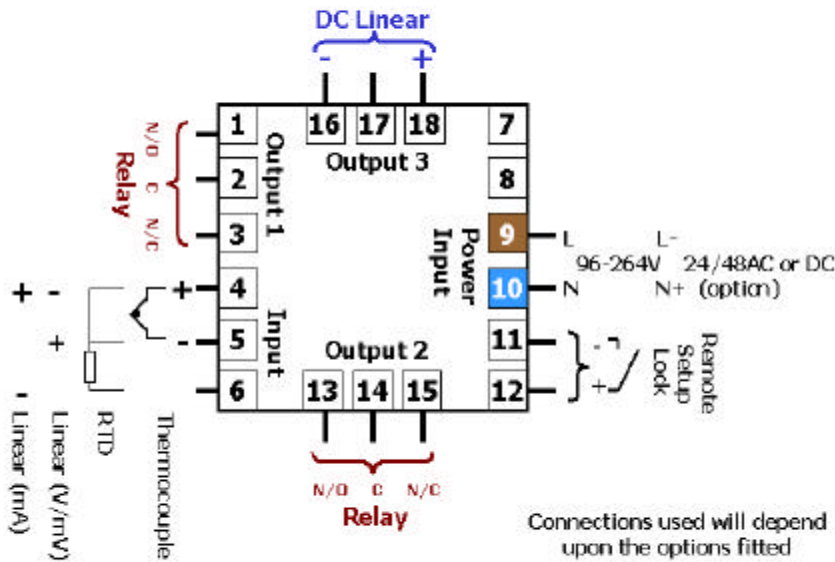
Dimensions



Panel Cut-out



Connection Details



Field Reconfiguration

Input

Configurable to any type, no extra parts required

Output 1

Type is fixed as Alarm 1 Relay

Output 2

Configurable as Alarm 2, via plug-in Relay

Output 3

Configurable as PV retransmit using DC Linear module

Option Slot

Configurable as Remote set-up lock, via plug-in module

Order Code

N6011/ Z x 1 x x / xx

Input type

3 Wire RTD or DC mV	1
Thermocouple	2
DC mA	3
DC Voltage	4

Output 1

Relay Alarm 1	1
---------------	---

Output 2

Not fitted	0
Relay Alarm 2	1

Options and Power Supply

00	No Options/90-264V AC line supply
02	No Options/24-48V AC or DC line supply
30	Remote Lock/90-264V AC line supply
32	Remote Lock/24-48V AC or DC line supply

Output 3

0	Not fitted
3	DC 0-10V Re-Transmit PV or SP
4	DC 0-20mA Re-Transmit PV or SP
5	DC 0-5V Re-Transmit PV or SP
7	DC 4-20mA Re-Transmit PV or SP

<http://instserv.com>

ISE, Inc.

10100 Royalton Rd.
Cleveland, OH 44133 USA
Tel: (440) 237-3200 • Fax: (440) 237-1744

Toledo, OH area:

417 Tomahawk Dr.
Maumee, OH 43537
Tel: (419) 893-3330 • Fax: (419) 893-2151